



Havana Classic Stacking Armchair.

- *Master pack 4 and 12.*
- Made of 100% simulated wicker resin.
- 12.42 Lbs. each.
- 23.5"W x 17.5"D x 35.5"H.
- Powder coated aluminum legs.
- ASTM F 1561 Class B commercial rating. UV inhibitors.
- Rated to 300 Lbs. For safe use in commercial environments.
- \$50.00 charge for orders under \$500.00.
- \$50.00 charge for quantities other than the master pack.

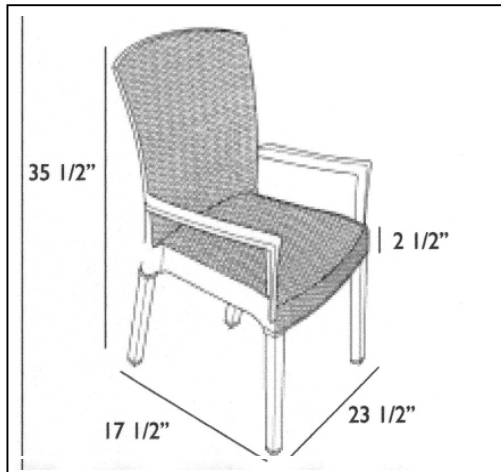
Item #: GR HCCAC



Bronze



French Taupe



Charcoal

NATIONAL OUTDOOR FURNITURE, INC.
1210 W. Main Street #296. Riverhead, NY 11901
Toll-Free Phone: 1-888-663-4621
Phone: 631-369-9099 Fax: 631-207-8312
Email: nofinc@optonline.net
www.nationaloutdoorfurniture.com

NATIONAL OUTDOOR FURNITURE, INC.
144 Murdock Road #325 Pomfret Center, CT 06259
Toll-Free Phone: 1-888-516-8873
Phone: 1-860-974-1551 Fax: 516-706-1901
Email: nofinc@earthlink.net
www.nationaloutdoorfurniture.com