



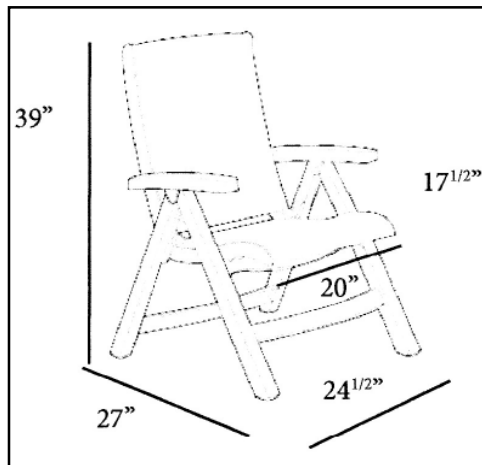
**Sling and Frame Colors**



**Jamica Beach Folding Sling Chair**

- *Masterpack of 2.*
- 19.30 Lbs. each.
- 24 1/2"W x 27"D x 39"H.
- Rated to 300 lbs. in compliance with the requirements of ASTM F 1561-96 Class B for non-residential use.
- High strength fabric specifically woven to meet stringent requirements.
- Hard wearing footpads for extra wear resistance on hard deck surfaces.
- Folds flat for easy storage.
- Locking device secures the seat of the chair into position for safe use.
- UV inhibitors
- \$50.00 charge for orders under \$500.00.

**Item #:** GR BMC



**NATIONAL OUTDOOR FURNITURE, INC.**  
1210 W. Main Street #296. Riverhead, NY 11901  
Toll-Free Phone: 1-888-663-4621  
Phone: 631-369-9099 Fax: 631-207-8312  
Email: [nofinc@optonline.net](mailto:nofinc@optonline.net)  
[www.nationaloutdoorfurniture.com](http://www.nationaloutdoorfurniture.com)

**NATIONAL OUTDOOR FURNITURE, INC.**  
144 Murdock Road #325 Pomfret Center, CT 06259  
Toll-Free Phone: 1-888-516-8873  
Phone: 1-860-974-1551 Fax: 516-706-1901  
Email: [nofinc@earthlink.net](mailto:nofinc@earthlink.net)  
[www.nationaloutdoorfurniture.com](http://www.nationaloutdoorfurniture.com)