



**Perforated Style
Portable**

6 Ft. Perforated Bench Buddy Bench with Back.

- No charge for standard custom lettering. Limits apply for amount of letters and spaces. Please inquiry.
- Custom logos will have a one time set up fee.
- 149 lbs.
- Seat and back is made with large hole polyethylene coated 11 gauge punched steel seat.
- (2) 2 3/8" Zinc coated, powder coated galvanized steel legs.
- 10 1/2" Deep.
- Optional sleep seat and surface mounting clamps.
- Some assembly required.

Item #: WC PBB6WBPC

WC PBB6WBPC 6 Ft. Bench - Portable

WC PBB6WBIGC 6 Ft. Bench - Inground Mount

WC PBB6WBSMC 6 Ft. Bench - Surface Mount.

Portable Table Mounting Options

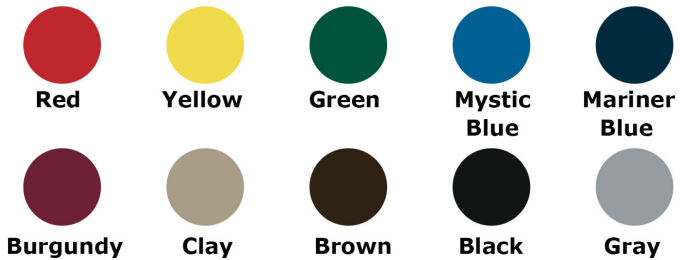


Surface Mounting Clamp



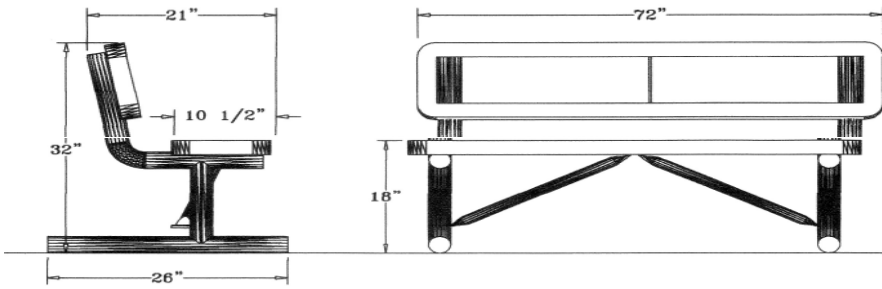
Inground Mounting Clamp

Textured Polyethylene Colors

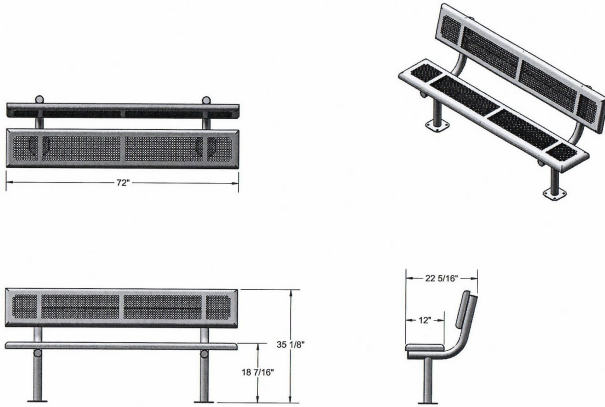


Powder Coat Gloss Colors

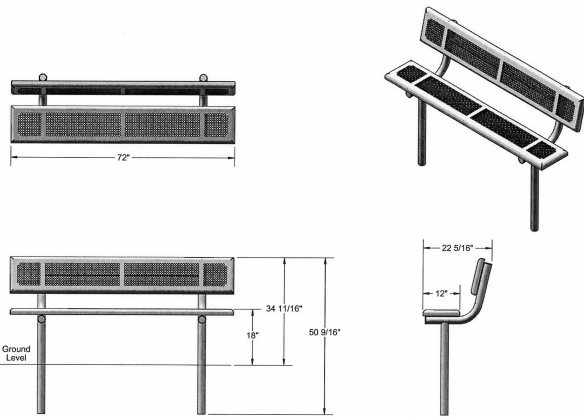




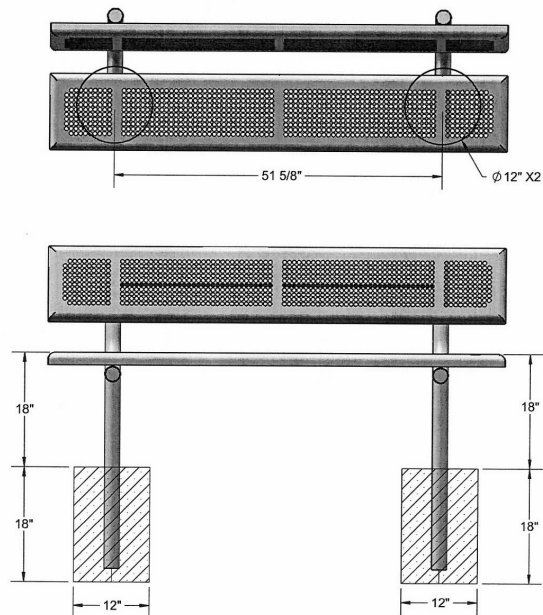
Portable



Surface Mount



Inground Mount



NATIONAL OUTDOOR FURNITURE, INC.
 1210 W. Main Street #296 Riverhead, NY 11901
 Toll-Free Phone: 1-888-663-4621
 Phone: 631-369-9099 Fax: 631-207-8312
 Email: nofinc@optonline.net
www.nationaloutdoorfurniture.com

NATIONAL OUTDOOR FURNITURE, INC.
 144 Murdock Road #325 Pomfret Center, CT 06259
 Toll-Free Phone: 1-888-516-8873
 Phone: 1-860-974-9996 Fax: 516-706-1901
 Email: nofinc@earthlink.net
www.nationaloutdoorfurniture.com