

N.O.F. / Inc.



4' Creekside Recycled Plastic Bench – Surface Mount.

- Also available in 6' and 8' lengths. Shown in 4 ft. size.
- 92 lbs.
- Dim: 48"W x 14 3/4"D.
- Made with four 3" x 4" recycled plastic slats and (2) black powdercoated steel legs.
- All holes are predrilled and countersunk for plastic lumber.
- Includes a UV protectant.
- Maintenance free.
- Available in green, cedar, gray and brown with black base.
- Some assembly required.

Item# JP PB4CRKSM

Model Number	Weight	Dimensions
JP PB4CRK	92 Lbs.	48"W x 14 3/4"D.- 2 Bases
JP PB6CRK	140 Lbs.	72"W x 14 3/4"D.- 3 Bases
JP PB8CRK	175 Lbs.	96"W x 14 3/4"D.- 4 Bases

Resinwood Slat Colors



Cedar

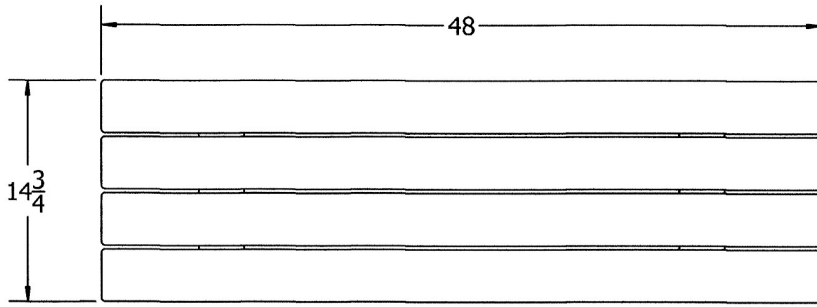


Brown

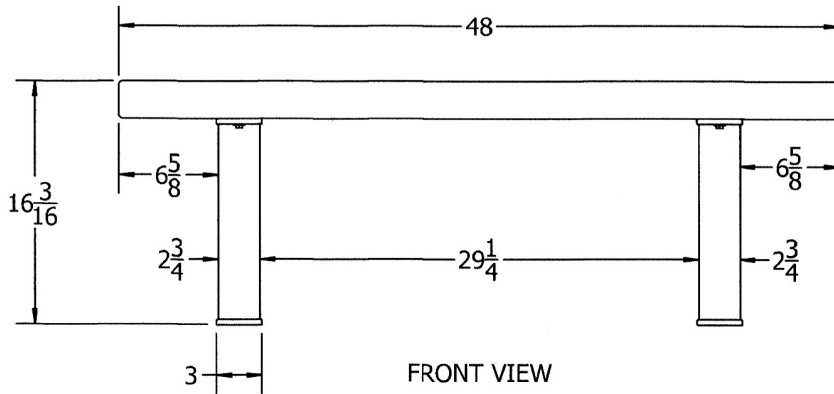


Gray

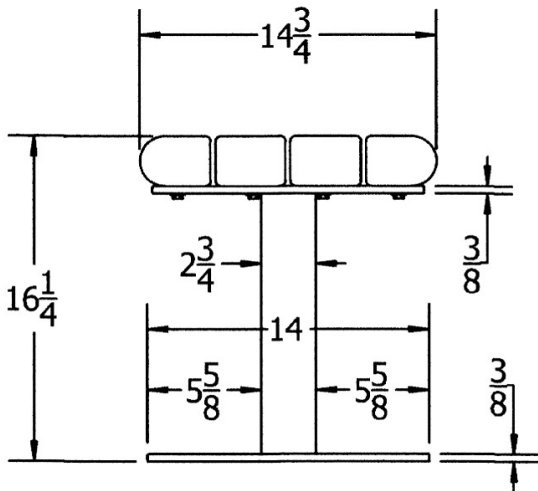
4 Ft. Length



TOP VIEW



FRONT VIEW



SIDE VIEW

NATIONAL OUTDOOR FURNITURE, INC.
1210 W. Main Street #296 Riverhead, NY 11901
Toll-Free Phone: 1-888-663-4621
Phone: 631-369-9099 Fax: 631-207-8312
Email: nofinc@optonline.net
www.nationaloutdoorfurniture.com

NATIONAL OUTDOOR FURNITURE, INC.
144 Murdock Road #325 Pomfret Center, CT 06259
Toll-Free Phone: 1-888-516-8873
Phone: 1-860-974-9996 Fax: 516-706-1901
Email: nofinc@earthlink.net
www.nationaloutdoorfurniture.com