

# N.O.F. / Inc.



## Recycling Center – Three 32 Gallon Round Recycled Plastic Trash Recycling Containers.

- 220 lbs.
- Containers made of 1" x 4" recycled plastic slats and rust-proof recycled plastic rings.
- 4" x 4" Post can be anchored into the ground or cut off and surface mounted. Post is clearly labeled with "recycle".
- Each container is engraved with the label of your choice: glass, cans, aluminum, plastic, bottles, paper.
- Includes a UV protectant.
- Liners sold separately.
- Containers available in cedar, gray and green with black lid.
- Recycled plastic made from 100% recycled material.
- Some assembly required.

**Item #:** JP PB32RDBL3

## Resinwood Slat Colors



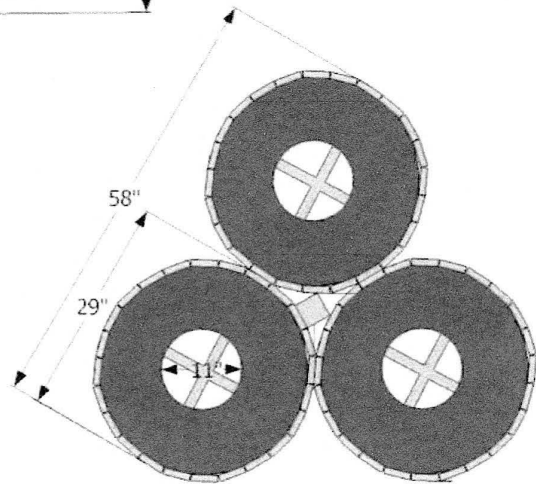
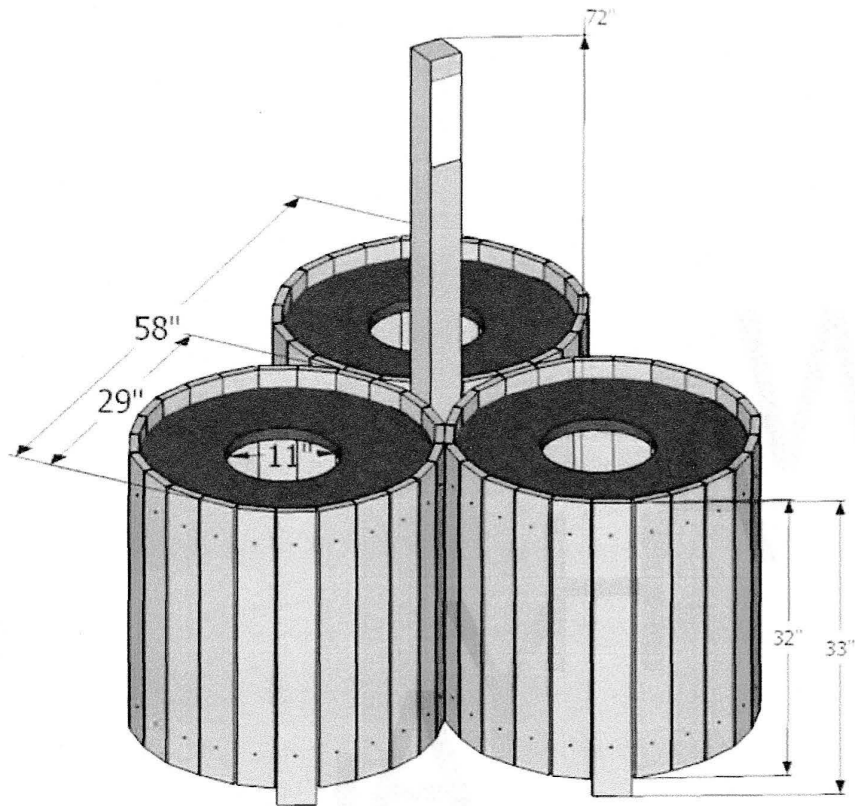
Cedar



Brown



Gray



**NATIONAL OUTDOOR FURNITURE, INC.**  
 1210 W. Main Street #296 Riverhead, NY 11901  
 Toll-Free Phone: 1-888-663-4621  
 Phone: 631-369-9099 Fax: 631-207-8312  
 Email: [nofinc@optonline.net](mailto:nofinc@optonline.net)  
[www.nationaloutdoorfurniture.com](http://www.nationaloutdoorfurniture.com)

**NATIONAL OUTDOOR FURNITURE, INC.**  
 144 Murdock Road #325 Pomfret Center, CT 06259  
 Toll-Free Phone: 1-888-516-8873  
 Phone: 1-860-974-9996 Fax: 516-706-1901  
 Email: [nofinc@earthlink.net](mailto:nofinc@earthlink.net)  
[www.nationaloutdoorfurniture.com](http://www.nationaloutdoorfurniture.com)