

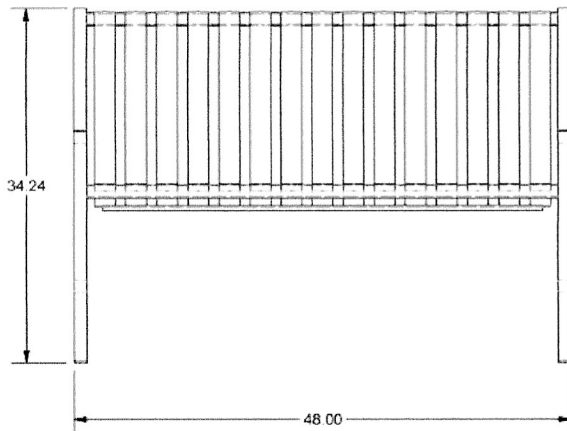


Oakley Slatted Bench

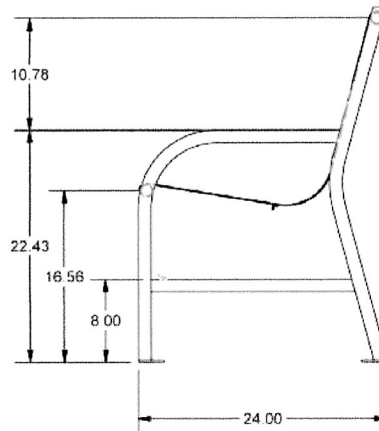
- Durable, long-lasting flat bar steel construction.
- Durable TGIC powder-coated finish for indoor or outdoor use. 3 colors available.
- Anchor kit included.
- Dimensions: 34" Ht x 24" Width.
- Length Options: 4 Ft., 5 Ft. & 6 Ft.
- Ships fully assembled.
- 5 Year Warranty.

Model # Length

WT M4BCH	77 Lbs. 4 Feet
WT M5BCH	96 Lbs. 5 Feet
WT M6BCH	115 Lbs. 6 Feet

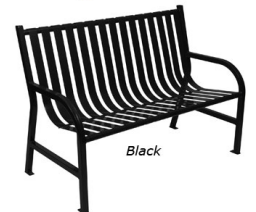
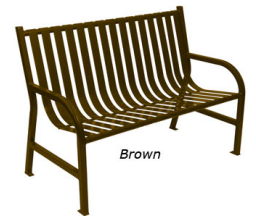
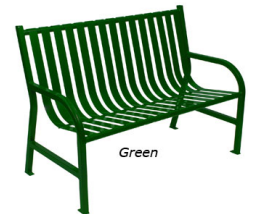


SIDE ELEVATION



END VIEW

Powder Coated Colors



NATIONAL OUTDOOR FURNITURE, INC.
 1210 W. Main Street #296 Riverhead, NY 11901
 Toll-Free Phone: 1-888-663-4621
 Phone: 631-369-9099 Fax: 631-207-8312
 Email: nofinc@optonline.net
www.nationaloutdoorfurniture.com

NATIONAL OUTDOOR FURNITURE, INC.
 144 Murdock Road #325 Pomfret Center, CT 06259
 Toll-Free Phone: 1-888-516-8873
 Phone: 1-860-974-1551 Fax: 516-706-1901
 Email: nofinc@earthlink.net
www.nationaloutdoorfurniture.com