



Clearwater Adirondack Chair.

- 53 lbs.
- Dimensions: 53 5/8"H x 31"W x 35 1/2"D.
- Seat is 21"W.
- Built with various sized recycled plastic resinwood slats.
- Traditional adirondack chair style.
- Made with a 6 slatted configuration to the back.
- Includes a UV protectant.
- Marine grade stainless steel.
- Available in cedar, gray, green, red and white.
- Maintenance free.
- Some assembly required.

Item# JP PBADCLR

Resinwood Slat Colors



Blue



Cedar



White



Green

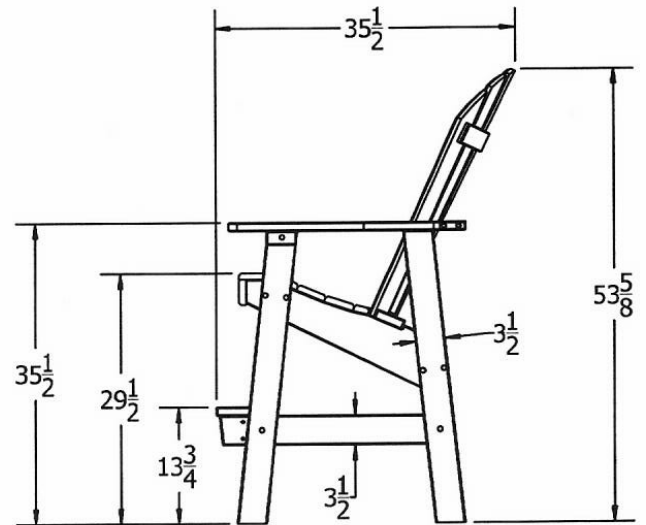
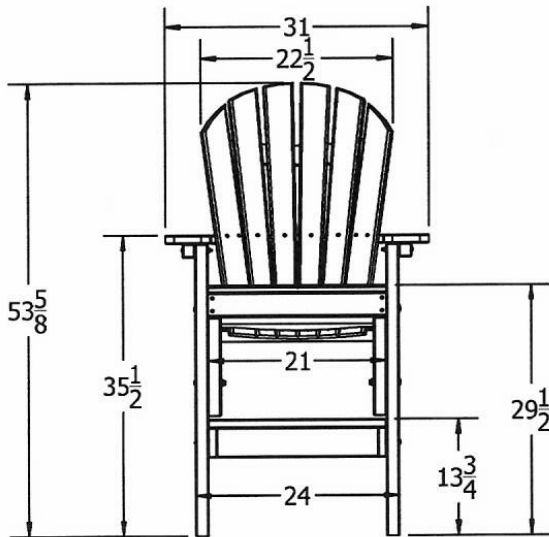
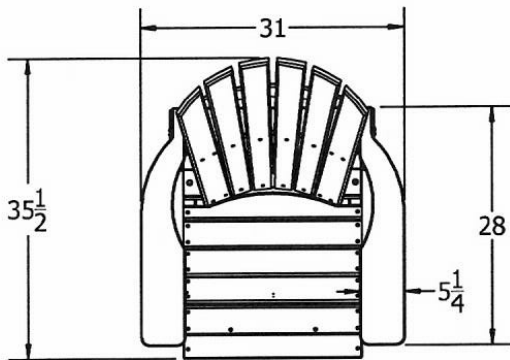


Red



Brown





NATIONAL OUTDOOR FURNITURE, INC.
 1210 W. Main Street #296 Riverhead, NY 11901
 Toll-Free Phone: 1-888-663-4621
 Phone: 631-369-9099 Fax: 631-207-8312
 Email: nofinc@optonline.net
www.nationaloutdoorfurniture.com

NATIONAL OUTDOOR FURNITURE, INC.
 144 Murdock Road #325 Pomfret Center, CT 06259
 Toll-Free Phone: 1-888-516-8873
 Phone: 1-860-974-1551 Fax: 516-706-1901
 Email: nofinc@earthlink.net
www.nationaloutdoorfurniture.com