



Plaza Recycled Plastic Chair

- 100 lbs.
- Dim: 22"W x 27" D x 18" Seat Ht.
- Made with eight 2" x 4" recycled plastic slats.
- All holes are predrilled and countersunk for plastic lumber.
- Includes a UV protectant.
- Maintenance free.
- Legs have surface mounting holes.
- Silver powder coated frames.
- Available in green, cedar, blue and redwood with silver frames.
- Recycled plastic made from 100% recycled material.
- Some assembly required.

Item# JP PB24PLZCH

Resinwood Slat Colors



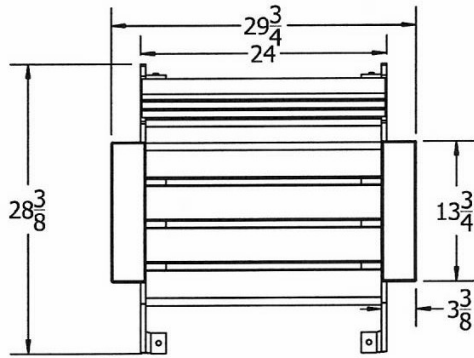
Cedar



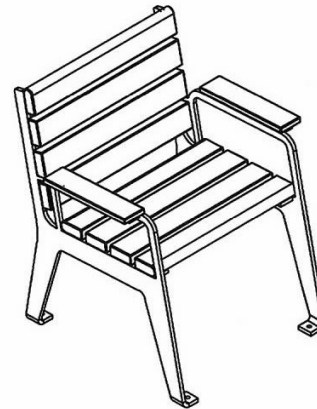
Brown



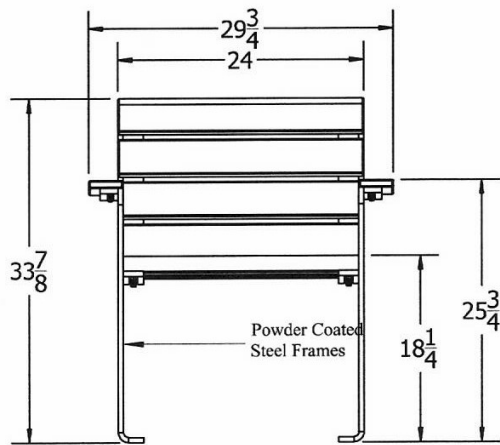
Gray



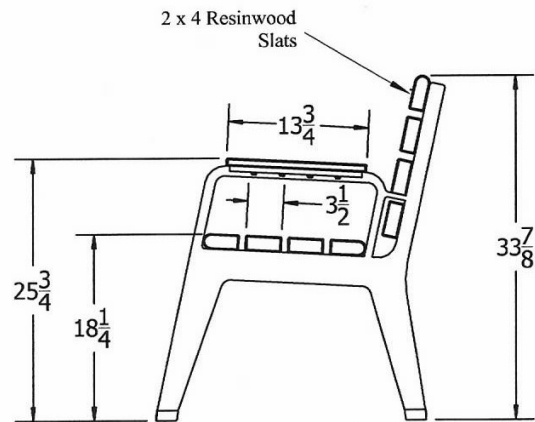
TOP VIEW



3D ISOMETRIC VIEW



FRONT VIEW



SIDE VIEW

NATIONAL OUTDOOR FURNITURE, INC.
 1210 W. Main Street #296 Riverhead, NY 11901
 Toll-Free Phone: 1-888-663-4621
 Phone: 631-369-9099 Fax: 631-207-8312
 Email: nofinc@optonline.net
www.nationaloutdoorfurniture.com

NATIONAL OUTDOOR FURNITURE, INC.
 144 Murdock Road #325 Pomfret Center, CT 06259
 Toll-Free Phone: 1-888-516-8873
 Phone: 1-860-974-9996 Fax: 516-706-1901
 Email: nofinc@earthlink.net
www.nationaloutdoorfurniture.com