



**Toddler 6' Recycled Plastic Park Place Picnic Table, Portable - Portable.**

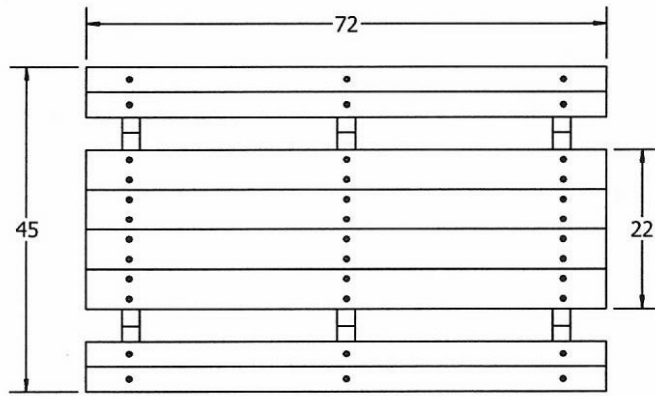
- 106 Lbs. Dim: 72"W x 33 3/4"D - Top is 16"D. Seat height is 10 1/2"
- Table top and seats are made with 1" x 6" recycled plastic slats and black recycled plastic base.
- Includes a UV protectant.
- Maintenance free.
- No umbrella hole.
- Table top and seats available in cedar with black base.
- Some assembly required.

**Item #:** JP PB6TODPIC

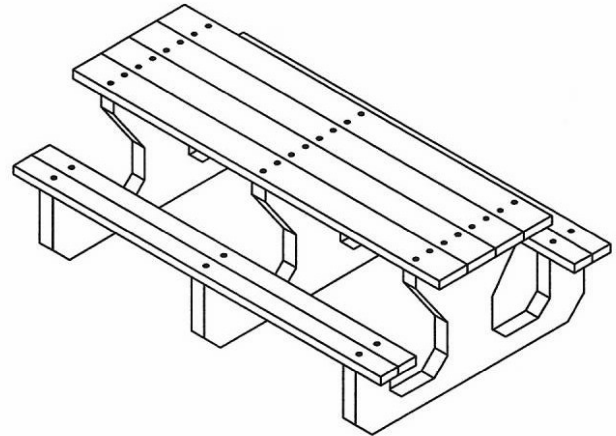
**Resinwood Slat Colors**



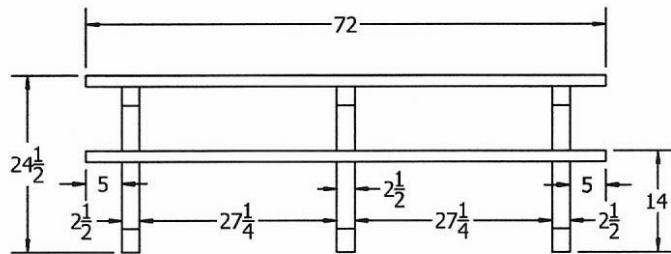
Cedar



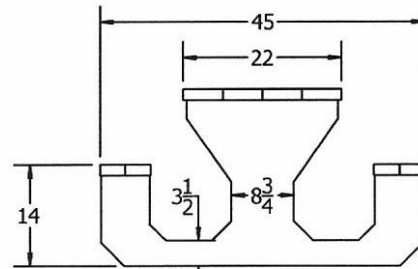
TOP VIEW



3D ISOMETRIC VIEW



FRONT VIEW



SIDE VIEW

**NATIONAL OUTDOOR FURNITURE, INC.**  
 1210 W. Main Street #296 Riverhead, NY 11901  
 Toll-Free Phone: 1-888-663-4621  
 Phone: 631-369-9099 Fax: 631-207-8312  
 Email: [nofinc@optonline.net](mailto:nofinc@optonline.net)  
[www.nationaloutdoorfurniture.com](http://www.nationaloutdoorfurniture.com)

**NATIONAL OUTDOOR FURNITURE, INC.**  
 144 Murdock Road #325 Pomfret Center, CT 06259  
 Toll-Free Phone: 1-888-516-8873  
 Phone: 1-860-974-9996 Fax: 516-706-1901  
 Email: [nofinc@earthlink.net](mailto:nofinc@earthlink.net)  
[www.nationaloutdoorfurniture.com](http://www.nationaloutdoorfurniture.com)