



**48" Square Recycled Plastic Table with (3) Attached Seats - Surface/Inground Mount.**

- 270 lbs.
- 48" Square table top x 28 3/8"High.
- Made with nine 2" x 10" recycled plastic slats and black powder coated steel base.
- Includes a UV protectant.
- Surface mounting anchors included.
- Available in green, brown, cedar and gray with black powdercoated steel base.
- With umbrella hole.
- Some assembly required.

**Item #:** JP PB4BFSPICADA

## Resinwood Slat Colors



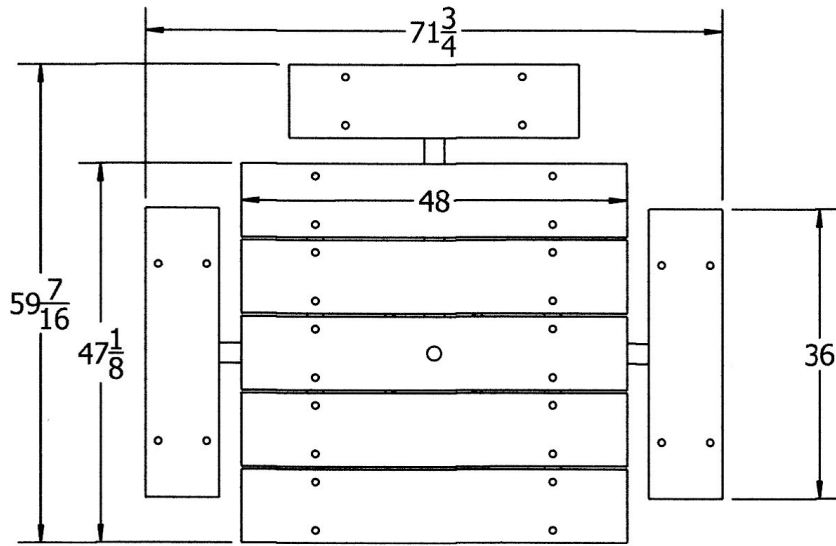
Cedar



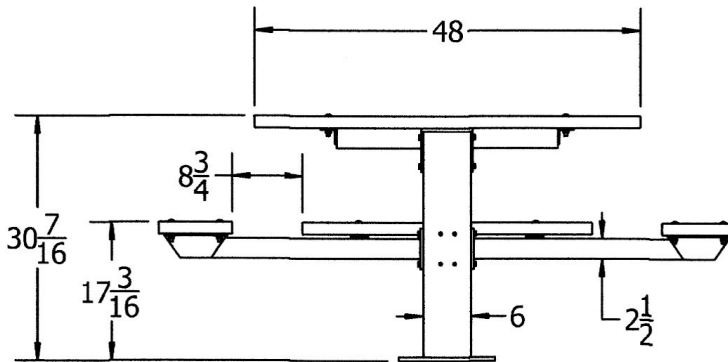
Brown



Gray



TOP VIEW



FRONT VIEW

**NATIONAL OUTDOOR FURNITURE, INC.**  
 1210 W. Main Street #296 Riverhead, NY 11901  
 Toll-Free Phone: 1-888-663-4621  
 Phone: 631-369-9099 Fax: 631-207-8312  
 Email: [nofinc@optonline.net](mailto:nofinc@optonline.net)  
[www.nationaloutdoorfurniture.com](http://www.nationaloutdoorfurniture.com)

**NATIONAL OUTDOOR FURNITURE, INC.**  
 144 Murdock Road #325 Pomfret Center, CT 06259  
 Toll-Free Phone: 1-888-516-8873  
 Phone: 1-860-974-9996 Fax: 516-706-1901  
 Email: [nofinc@earthlink.net](mailto:nofinc@earthlink.net)  
[www.nationaloutdoorfurniture.com](http://www.nationaloutdoorfurniture.com)