

# N.O.F. / Inc.



## 48" Square Recycled Plastic Table with (3) Attached Seats - ADA - Portable.

- 220 lbs.
- Dim: 48" Square Top x 30"H.
- Table top and seats are made with 2" x 10" recycled plastic and top with 1 5/8" dia. hot dipped galvanized powdercoated frame.
- All holes are predrilled and countersunk for plastic lumber.
- Includes a UV protectant.
- Maintenance free.
- Table top and seats available in green, brown, cedar and green with black base.
- Mounting clamps available.
- With umbrella hole.
- Some assembly required.

**Item #:** JP PB4SQPICADA

## Resinwood Slat Colors



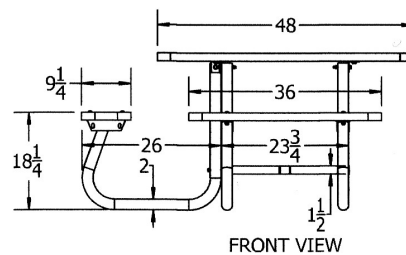
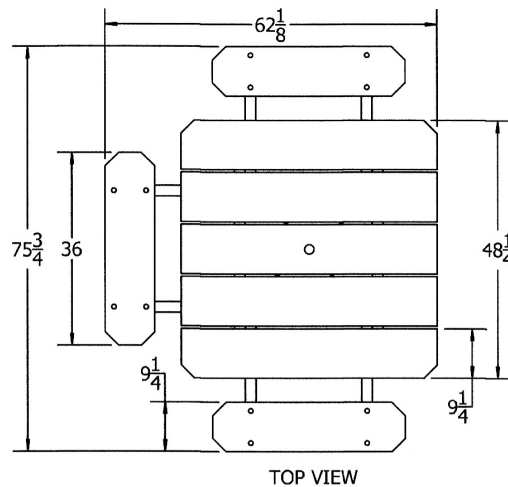
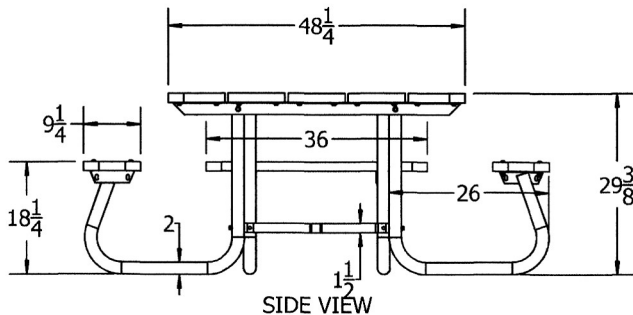
Cedar



Brown



Gray



### NATIONAL OUTDOOR FURNITURE, INC.

1210 W. Main Street #296 Riverhead, NY 11901  
 Toll-Free Phone: 1-888-663-4621  
 Phone: 631-369-9099 Fax: 631-207-8312  
 Email: [nofinc@optonline.net](mailto:nofinc@optonline.net)  
[www.nationaloutdoorfurniture.com](http://www.nationaloutdoorfurniture.com)

### NATIONAL OUTDOOR FURNITURE, INC.

144 Murdock Road #325 Pomfret Center, CT 06259  
 Toll-Free Phone: 1-888-516-8873  
 Phone: 1-860-974-1551 Fax: 516-706-1901  
 Email: [nofinc@earthlink.net](mailto:nofinc@earthlink.net)  
[www.nationaloutdoorfurniture.com](http://www.nationaloutdoorfurniture.com)