

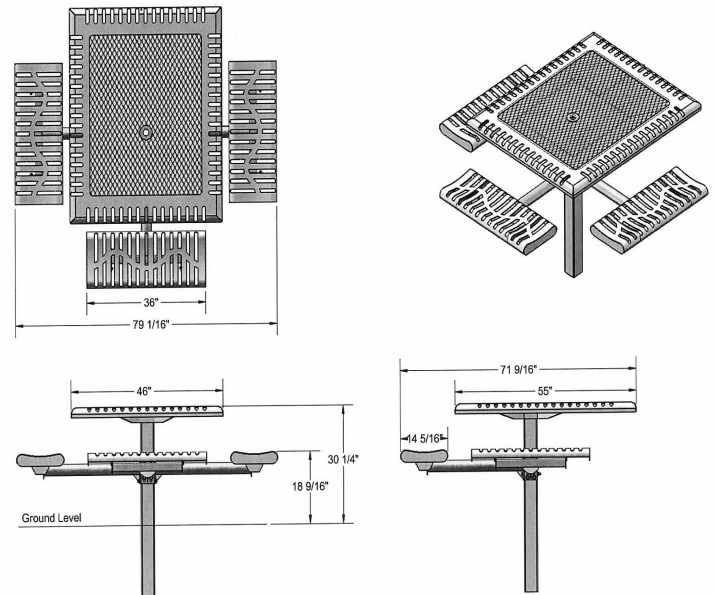


**Classic Web Style
Inground Mount ADA**

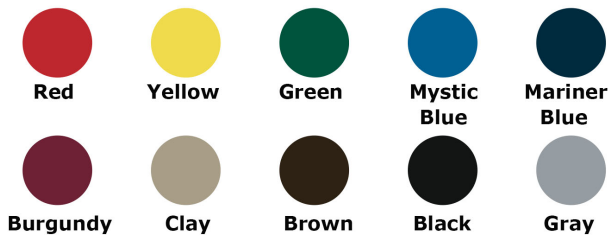
46" x 57" Square Web Classic Table with (3) Attached Seats, Rounded Corners - ADA/Inground Mount.

- 265 lbs.
- Polyethylene coated 3/4" #9 expanded metal tops, Rolled Edges
- Made with polyethylene coated ribbed steel seats.
- 2 3/8" zinc coated, powder coated galvanized frame.
- Also available in surface mount.
- With umbrella hole.
- Some assembly required.

Item #: WC WCSQ46ADA-3IG



Textured Polyethylene Colors



Powder Coat Gloss Colors



NATIONAL OUTDOOR FURNITURE, INC.
 1210 W. Main Street #296 Riverhead, NY 11901
 Toll-Free Phone: 1-888-663-4621
 Phone: 631-369-9099 Fax: 631-207-8312
 Email: nofinc@optonline.net
www.nationaloutdoorfurniture.com

NATIONAL OUTDOOR FURNITURE, INC.
 144 Murdock Road #325 Pomfret Center, CT 06259
 Toll-Free Phone: 1-888-516-8873
 Phone: 1-860-974-1551 Fax: 516-706-1901
 Email: nofinc@earthlink.net
www.nationaloutdoorfurniture.com