

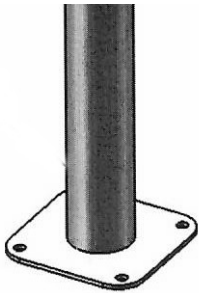


**Dual Grate Grill, 550 Sq. Inch - Inground & Surface Mount.**

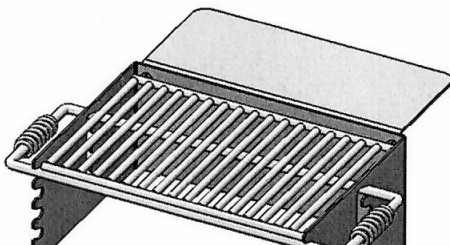
- 130 Lbs.
- 550 Total square inch cooking surface.
- Firebox size: 20”L x 28”D x 8”H.
- Cooking grate has cool coiled handles and can be adjusted to four different levels.
- All MIG welded.
- 2 3/8” Galvanized iron post.
- Durable high temp black powder coated firebox.
- Durable rust resistant high temp black powder coated firebox.
- Surface mounted and inground mounted versions available.
- Optional hot dipped galvanized firebox and utility shelf.
- Some assembly required.

**Item #:** US 650

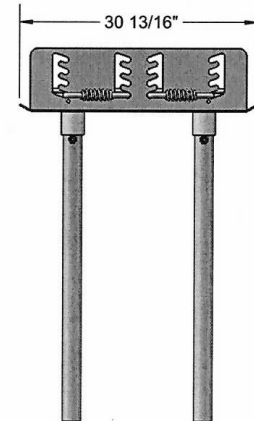
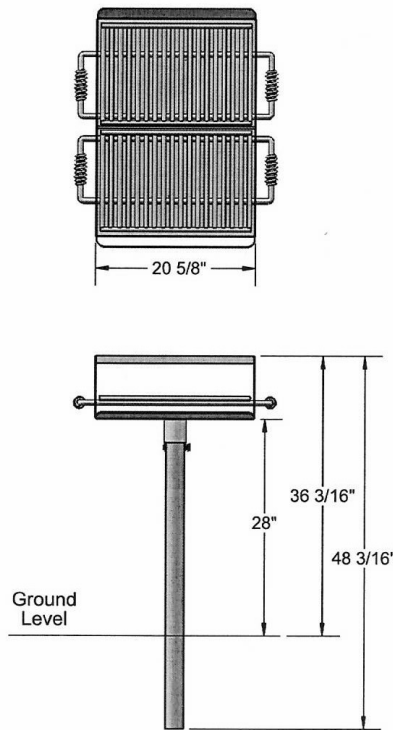
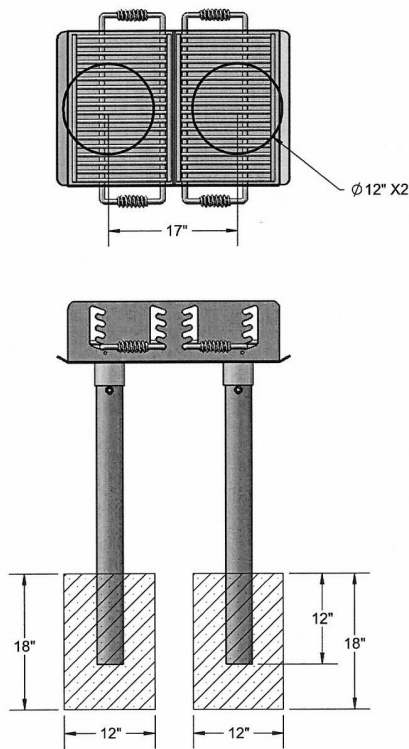
Model Number	Description
US 650	Grill with 2 3/8” O.D. Post, 130 Lbs., Inground Mount.
US 650SM	Grill with 2 3/8” O.D. Post , 130 Lbs., Surface Mount.
US 650-U-3	Grill with 2 3/8” O.D. Post, 130 Lbs., With Utility Shelf, Inground Mount.



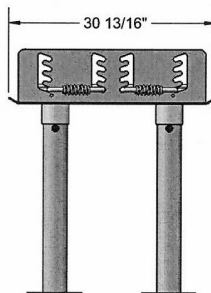
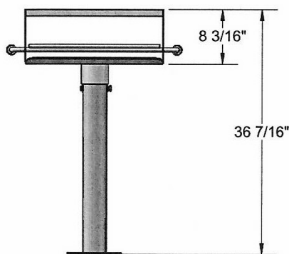
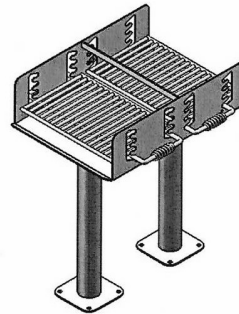
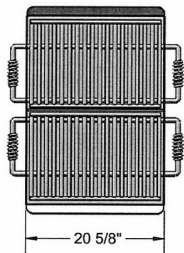
**Surface Mount**



**Optional Utility Shelf**



**US 650-3**



**US 650SM-3-U**

**NATIONAL OUTDOOR FURNITURE, INC.**  
 1210 W. Main Street #296 Riverhead, NY 11901  
 Toll-Free Phone: 1-888-663-4621  
 Phone: 631-369-9099 Fax: 631-207-8312  
 Email: [nofinc@optonline.net](mailto:nofinc@optonline.net)  
[www.nationaloutdoorfurniture.com](http://www.nationaloutdoorfurniture.com)

**NATIONAL OUTDOOR FURNITURE, INC.**  
 144 Murdock Road #325 Pomfret Center, CT 06259  
 Toll-Free Phone: 1-888-516-8873  
 Phone: 1-860-974-9996 Fax: 516-706-1901  
 Email: [nofinc@earthlink.net](mailto:nofinc@earthlink.net)  
[www.nationaloutdoorfurniture.com](http://www.nationaloutdoorfurniture.com)