

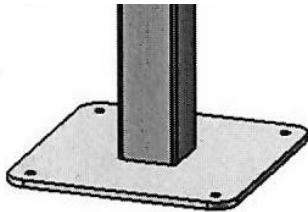


**Bi-Level Grill, 1008 Square Inch - Inground Mount and Surface Mount.**

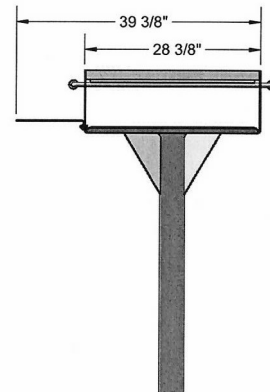
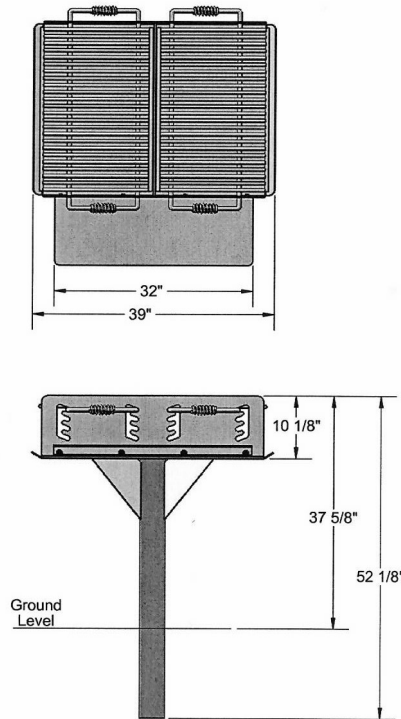
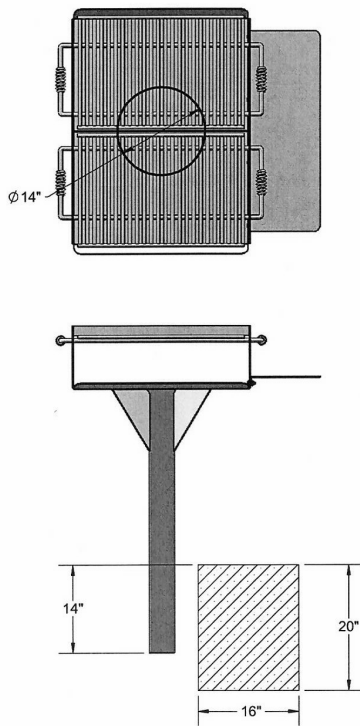
- 210 Lbs.
- 1008 Total square inch cooking surface.
- Firebox size: 28"L x 36"D x 10"H.
- Includes utility shelf with 4 level adjustable cooking grates.
- All MIG welded 7 gauge base plate with 10 gauge side plate.
- 4" Square post with 1/2" gussets for additional support.
- Durable rust resistant high temp black powder coated firebox.
- Surface mounted and inground mounted versions available.
- Optional hot dipped galvanized firebox.
- Some assembly required.

**Item #:** US 621

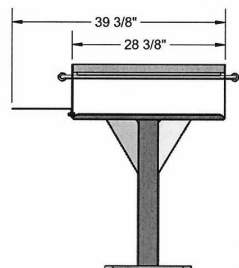
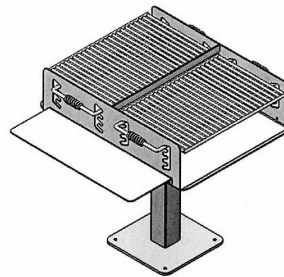
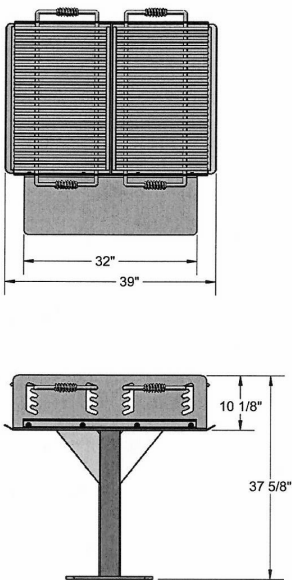
Model Number	Description
US 621	Grill with 4" Square Post, 210 Lbs., Inground Mount.
US 621SM	Grill with 4" Square Post and Utility Shelf, 210 Lbs., Surface Mount.



**Surface Mount**



## US 621



## US 621SM

**NATIONAL OUTDOOR FURNITURE, INC.**  
 1210 W. Main Street #296 Riverhead, NY 11901  
 Toll-Free Phone: 1-888-663-4621  
 Phone: 631-369-9099 Fax: 631-207-8312  
 Email: [nofinc@optonline.net](mailto:nofinc@optonline.net)  
[www.nationaloutdoorfurniture.com](http://www.nationaloutdoorfurniture.com)

**NATIONAL OUTDOOR FURNITURE, INC.**  
 144 Murdock Road #325 Pomfret Center, CT 06259  
 Toll-Free Phone: 1-888-516-8873  
 Phone: 1-860-974-9996 Fax: 516-706-1901  
 Email: [nofinc@earthlink.net](mailto:nofinc@earthlink.net)  
[www.nationaloutdoorfurniture.com](http://www.nationaloutdoorfurniture.com)