



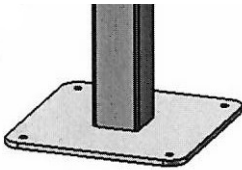
Commercial Grill - Surface and Inground Mount.

- 210 Lbs.
- 1064 Total square inch cooking surface.
- Firebox size: 28"L x 36"D x 10"H.
- Double flip back cooking grates for easy cleaning.
- All MIG welded 7 gauge base plate with 10 gauge side plate.
- 4" Square post with $\frac{1}{4}$ " gussets for additional support.
- Durable high temp black powder coated firebox.
- Durable rust resistant high temp black powder coated firebox.
- Surface mounted and inground mounted versions available.
- Some assembly required.

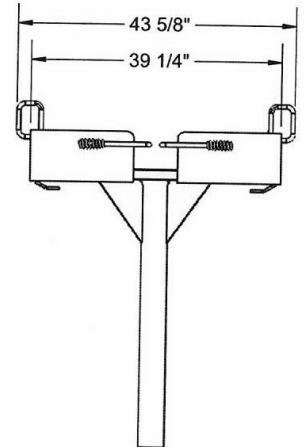
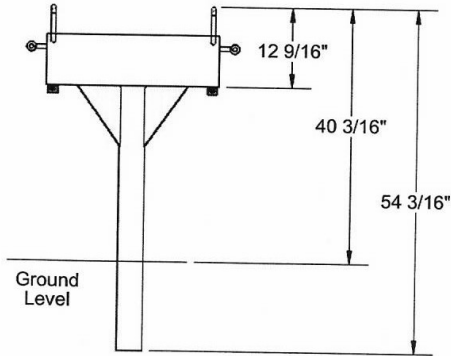
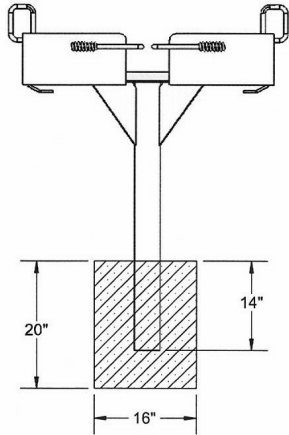
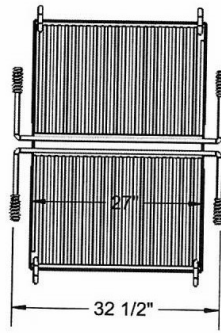
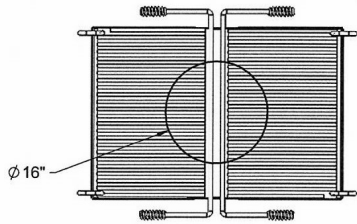
Item #: US 627

US 627 210 Lbs. 4" Post - Inground Mount.

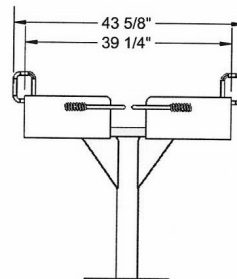
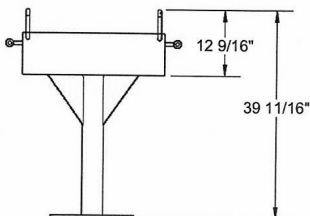
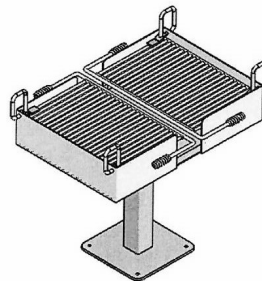
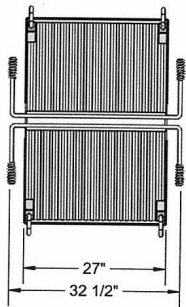
US 627SM 210 Lbs. 4" Post - Surface Mount.



Surface Mount



US 627



US 627SM

NATIONAL OUTDOOR FURNITURE, INC.

1210 W. Main Street #296. Riverhead, NY 11901
 Toll-Free Phone: 1-888-663-4621
 Phone: 631-369-9099 Fax: 631-207-8312
 Email: nofinc@optonline.net
www.nationaloutdoorfurniture.com

NATIONAL OUTDOOR FURNITURE, INC.

144 Murdock Road #325 Pomfret Center, CT 06259
 Toll-Free Phone: 1-888-516-8873
 Phone: 1-860-974-1551 Fax: 516-706-1901
 Email: nofinc@earthlink.net
www.nationaloutdoorfurniture.com