



**UltraLeisure Style
Portable ADA**

Portable Table Mounting Options



Surface Mounting Clamp

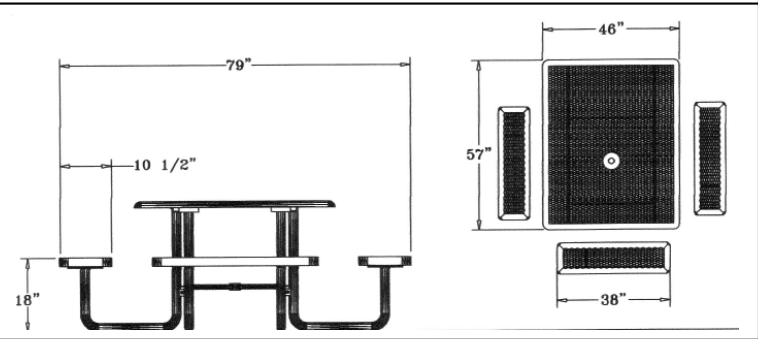


Inground Mounting Clamp

**46" x 57" UltraLeisure Table with (3) Attached Seats –
ADA/Portable.**

- 46" x 57" ADA Top.
- 233 lbs.
- Overall Dim: Overall Dim: 79" x 79" x 31"Ht.
- Top and seats are made with polyethylene coated 3/4" #9 expanded metal inside a 1" x 1 7/8" x 1/8" angle iron frame.
- 1 5/8" O.D. Black zinc coated, powder coated galvanized frame.
- With umbrella hole.
- Surface and inground mounting clamps available.
- Some assembly required.

Item #: WC US46ADA-3P



UltraLeisure Thermoplastic Colors



Red



Green



Blue



Black

NATIONAL OUTDOOR FURNITURE, INC.

1210 W. Main Street #296 Riverhead, NY 11901
Toll-Free Phone: 1-888-663-4621
Phone: 631-369-9099 Fax: 631-207-8312
Email: nofinc@optonline.net
www.nationaloutdoorfurniture.com

NATIONAL OUTDOOR FURNITURE, INC.

144 Murdock Road #325 Pomfret Center, CT 06259
Toll-Free Phone: 1-888-516-8873
Phone: 1-860-974-1551 Fax: 516-706-1901
Email: nofinc@earthlink.net
www.nationaloutdoorfurniture.com