



US 238-SR8 8 Ft. Table, 268 Lbs.
With or without umbrella hole. Must specify.

6 Ft. Oxford Table - Portable.

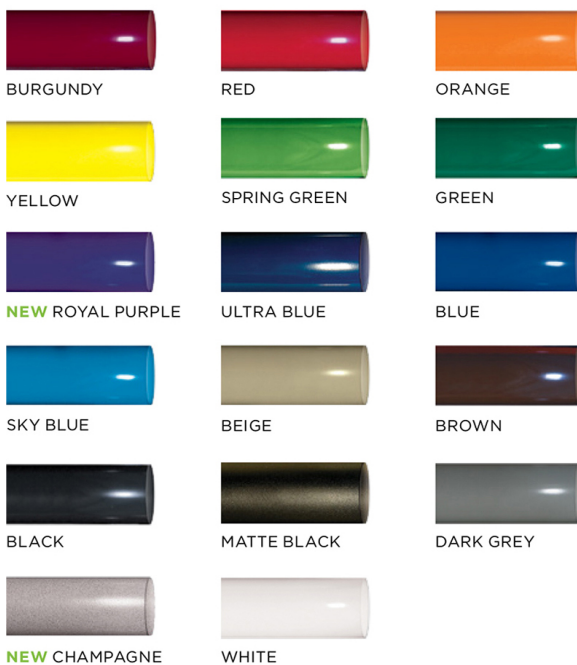
- 238 Lbs.
- Overall Dimensions: 72"L x 69 7/16"W x 32 18"H.
- Tops & Seats: 7 gauge x 3" with 3" diameter corners.
- 12 Gauge sheet metal. 7 Gauge flat bar center support.
- All MIG welded frame
- Thermoplastic coating on seats and tops.
- Powder coated frames.
- Frame 2 3/8" O.D. x 12 gauge pre-galvanized steel tubing.
- All stainless steel hardware.
- Some assembly required.
- **NOF #: US 238-SR6**

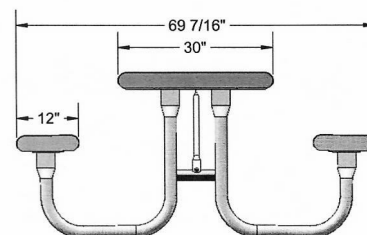
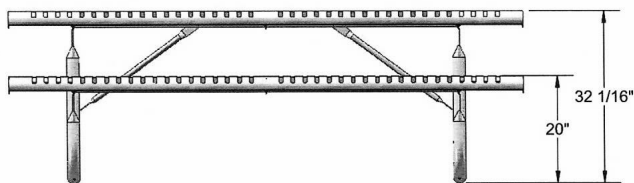
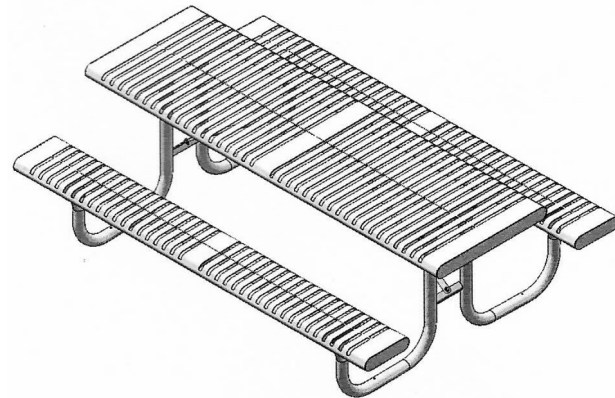
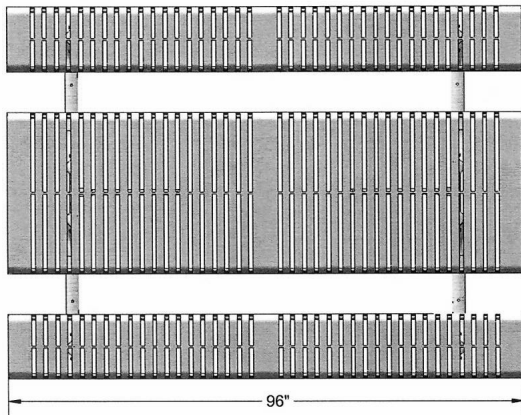
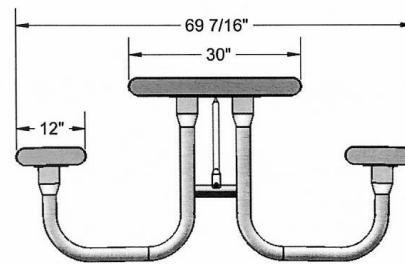
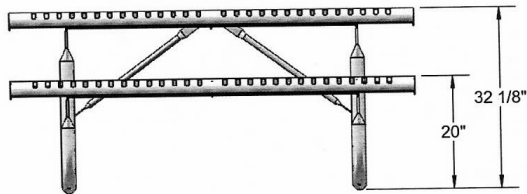
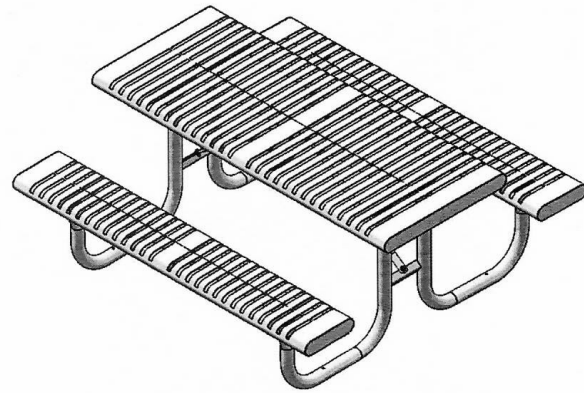
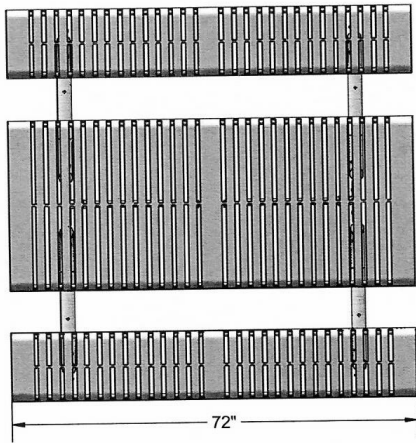
With or without umbrella hole. Must specify.

Thermoplastic Colors



Standard Powder Coat Colors





NATIONAL OUTDOOR FURNITURE, INC.
 1210 W. Main Street #296 Riverhead, NY 11901
 Toll-Free Phone: 1-888-663-4621
 Phone: 631-369-9099 Fax: 631-207-8312
 Email: nofinc@optonline.net
www.nationaloutdoorfurniture.com

NATIONAL OUTDOOR FURNITURE, INC.
 144 Murdock Road #325 Pomfret Center, CT 06259
 Toll-Free Phone: 1-888-516-8873
 Phone: 1-860-974-1551 Fax: 516-706-1901
 Email: nofinc@earthlink.net
www.nationaloutdoorfurniture.com