

N.O.F. / Inc.



48" Square ADA Picnic Table with (3) Seats - Portable.

- Overall Dimensions: 74 1/2" x 74 1/2" x 29 15/16" H.
- Wood style or aluminum style 2" x 10" planks.
- 1 5/8" O.D. frame. Bolt together walk thru design.
- Zinc coated, galvanized, powder coated finish or galvanized frame.
- Available in Untreated Pine, Treated Pine, Redwood Stained Pine and Aluminum Planks.
- Predrilled holes for surface mounting.
- With umbrella hole.
- Some assembly required.

Item #: US 358H



Wood Planks

2" x 10" and 2" x 4" sizes
Rounded Edges
#1 Southern Yellow Pine

(U) Untreated
(PT) Pressure Treated
Environmentally Friendly ACQ
Kiln Dried Before & After Treatment
(T) Treated Stain
Sealed in Redwood Stain With
Wood Preservative

Model Number	Description
US 358H-U48	48' ADA Table, 184 Lbs., (3) Attached Seats, Untreated Pine, Portable.
US 358H-PT48	48' ADA Table, 184 Lbs., (3) Attached Seats, Treated Pine, Portable.
US 358H-T48	48' ADA Table, 184 Lbs., (3) Attached Seats, Redwood Stain, Portable.

Standard Powder Coat Colors



BURGUNDY



RED



ORANGE



YELLOW



SPRING GREEN



GREEN



NEW ROYAL PURPLE



ULTRA BLUE



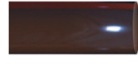
BLUE



SKY BLUE



BEIGE



BROWN



BLACK



MATTE BLACK



DARK GREY

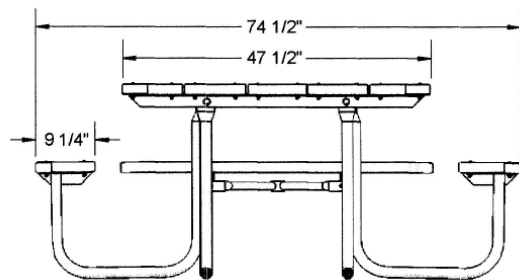
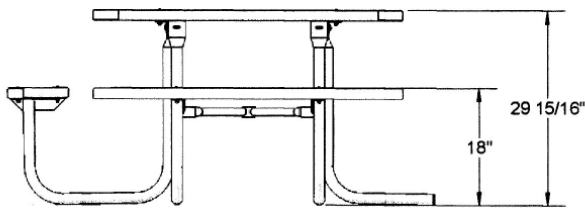
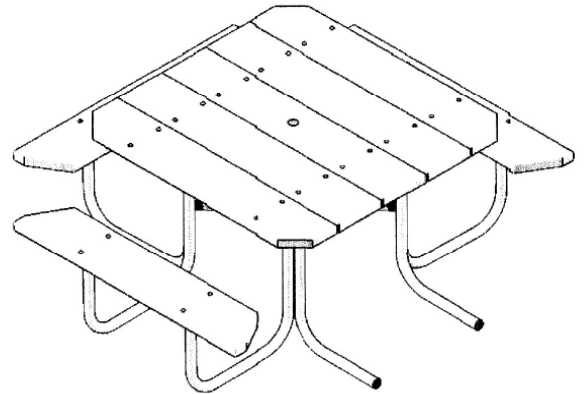
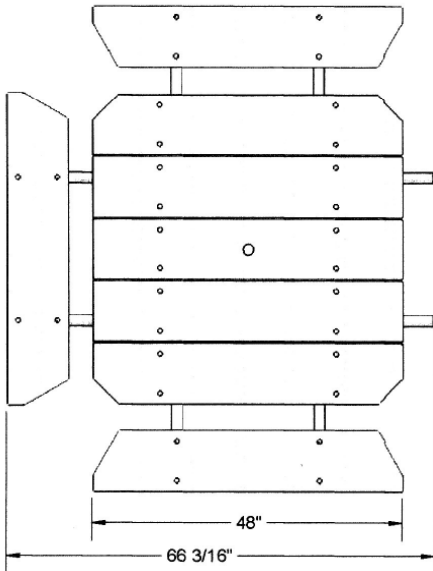


NEW CHAMPAGNE



WHITE

48" ADA Square Table, (3) Seats



NATIONAL OUTDOOR FURNITURE, INC.
 1210 W. Main Street #296 Riverhead, NY 11901
 Toll-Free Phone: 1-888-663-4621
 Phone: 631-369-9099 Fax: 631-207-8312
 Email: nofinc@optonline.net
www.nationaloutdoorfurniture.com

NATIONAL OUTDOOR FURNITURE, INC.
 144 Murdock Road #325 Pomfret Center, CT 06259
 Toll-Free Phone: 1-888-516-8873
 Phone: 1-860-974-1551 Fax: 516-706-1901
 Email: nofinc@earthlink.net
www.nationaloutdoorfurniture.com