

N.O.F. / Inc.



Child's 4' Recycled Plastic A Frame Picnic Table, Portable.

- 86 Lbs. Dim: 48"W x 24"D x 21"H. Seat height is 10 3/4".
- Table top and seats are made with 2" x 10" recycled plastic slats and 2" x 6" and 2" x 10" black recycled plastic frame.
- All holes are predrilled and countersunk for plastic lumber.
- Includes a UV protectant.
- Maintenance free.
- No umbrella hole.
- Table top and seats available in green and cedar with black base.
- Mounting clamps available.
- Some assembly required.

Item #: JP PBKPIC4

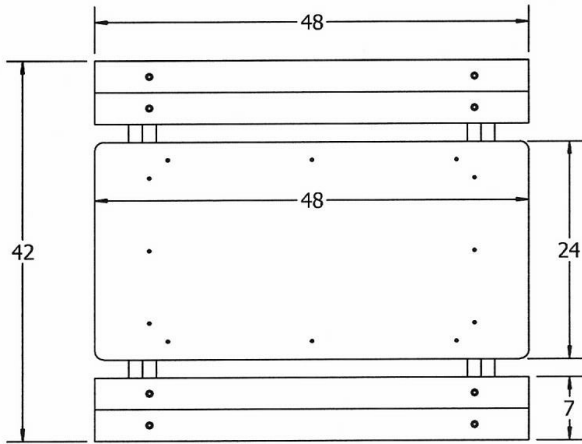
Resinwood Slat Colors



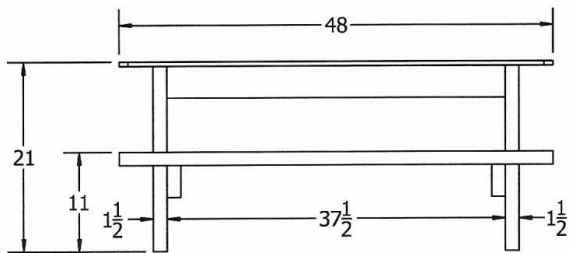
Cedar



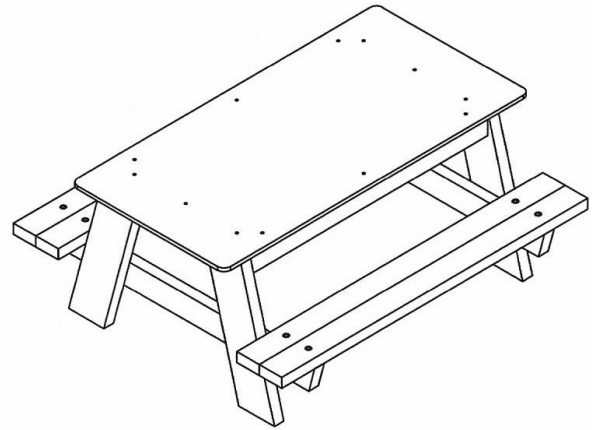
Gray



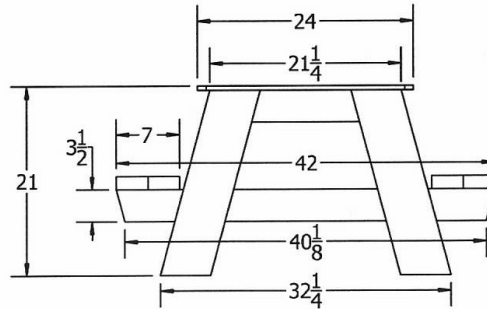
TOP VIEW



FRONT VIEW



3D ISOMETRIC VIEW



SIDE VIEW

NATIONAL OUTDOOR FURNITURE, INC.
 1210 W. Main Street #296 Riverhead, NY 11901
 Toll-Free Phone: 1-888-663-4621
 Phone: 631-369-9099 Fax: 631-207-8312
 Email: nofinc@optonline.net
www.nationaloutdoorfurniture.com

NATIONAL OUTDOOR FURNITURE, INC.
 144 Murdock Road #325 Pomfret Center, CT 06259
 Toll-Free Phone: 1-888-516-8873
 Phone: 1-860-974-1551 Fax: 516-706-1901
 Email: nofinc@earthlink.net
www.nationaloutdoorfurniture.com