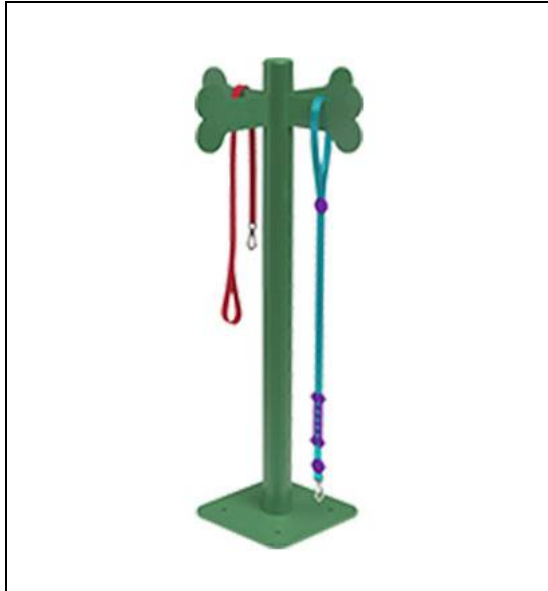


# N.O.F. / Inc.



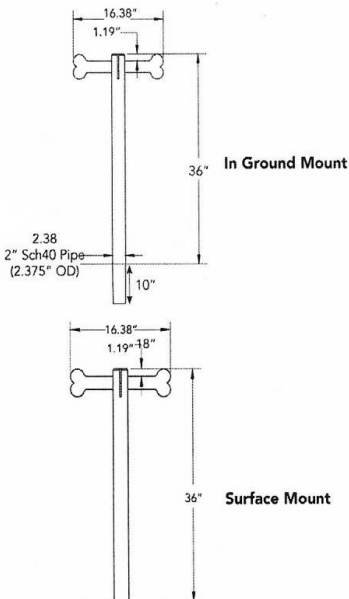
## Dogipot Bone Leash Post - Inground /Surface

- 36" Ht. and is made of thick 2.375" piping.
- Four places for multiple leashes.
- Durable powder-coated finish.
- Bone theme for dog parks.
- A finishing touch your pet-friendly area needs.
- 5-year warranty.
- Made in the USA.
- The smart solution to dog pollution!

**Item #:** DP BLP



The Smart Solution to Dog Pollution.



**NATIONAL OUTDOOR FURNITURE, INC.**  
 1210 W. Main Street #296 Riverhead, NY 11901  
 Toll-Free Phone: 1-888-663-4621  
 Phone: 631-369-9099 Fax: 631-207-8312  
 Email: [nofinc@optonline.net](mailto:nofinc@optonline.net)  
[www.nationaloutdoorfurniture.com](http://www.nationaloutdoorfurniture.com)

**NATIONAL OUTDOOR FURNITURE, INC.**  
 144 Murdock Road #325 Pomfret Center, CT 06259  
 Toll-Free Phone: 1-888-516-8873  
 Phone: 1-860-974-1551 Fax: 516-706-1901  
 Email: [nofinc@earthlink.net](mailto:nofinc@earthlink.net)  
[www.nationaloutdoorfurniture.com](http://www.nationaloutdoorfurniture.com)