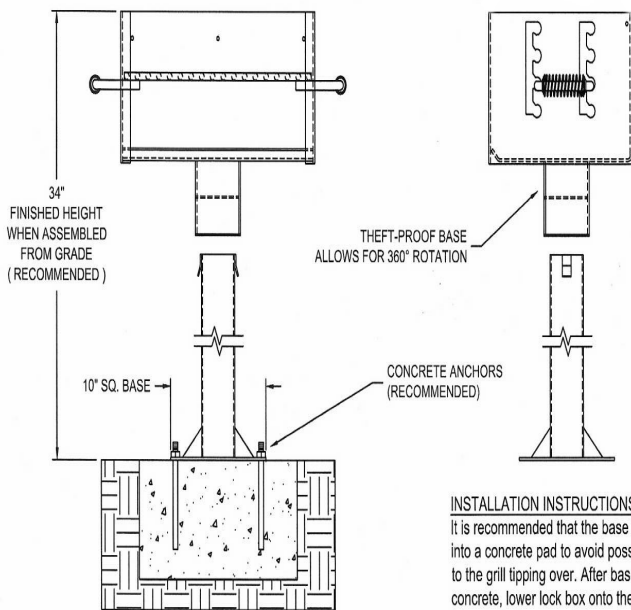




Fully Adjustable Large Park Grill with Tilt Back Grate, 334 Square Inch- Pad / Inground Mount.

- 90 Lbs.
- 334 Total square inch cooking surface.
- Firebox size: 23 3/4"L x 16"D x 10 1/8"H.
- Constructed of 3/16" thick steel (A1011) with an integral ash retention flange and drain holes.
- Grates constructed from 1/2" dia. A36 Steel bars located on 1-1/8" centers.
- The four position theft proof grate adjusts from 3 1/2" to 9" above the firebed.
- Grate handles are constructed from 5/8" dia. A36 steel bars equipped with stay cool spring grips suitable for public use.
- The fully adjustable theft proof grate tilts back for easy cleaning.
- Grill is supported by a heavy duty 3 1/2" dia. pipe to be installed in concrete.
- A theft proof base allows the grill to attach to the pipe and to rotate a full 360 degrees.
- Grill design allows grate to lift up and tilt back for ease of cleaning.
- All joints are continuously welded.
- All exposed corners are chamfered for safety.
- Standard finish is a non-toxic black powder coat.
- Some assembly required.

Item #: JTA 13813



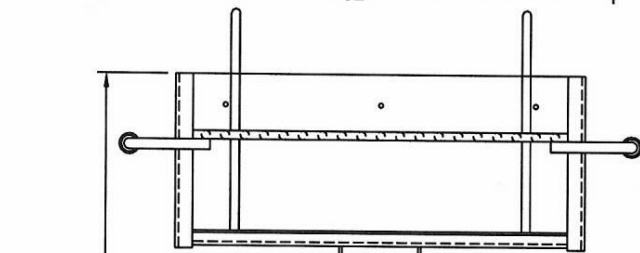
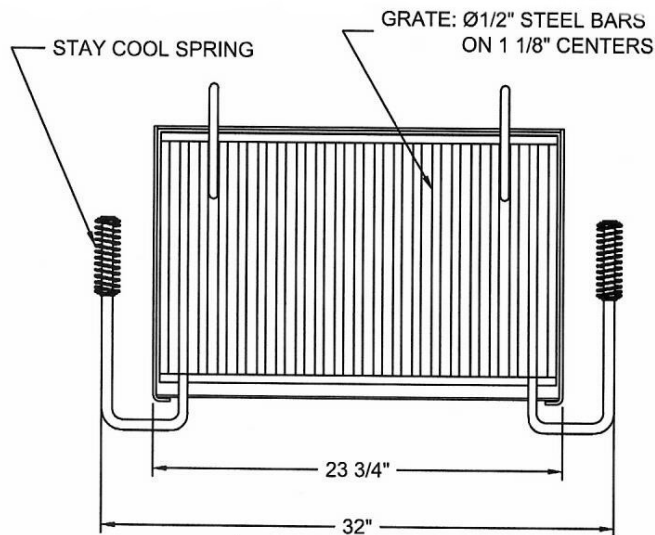
NOTE : CUSTOMER TO PROVIDE CONCRETE (RECOMMENDED)

INSTALLATION INSTRUCTIONS:
It is recommended that the base is anchored into a concrete pad to avoid possible injury due to the grill tipping over. After base is installed in concrete, lower lock box onto the tabs. Align tabs, push down over tabs and rotate 90°, push down over tabs again.

WARNING: MUST BE PERMANENTLY MOUNTED



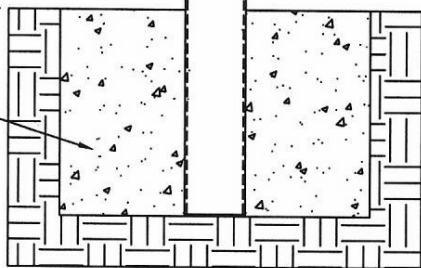
Pad Mounted Post



38"
FINISHED HEIGHT
WHEN ASSEMBLED
FROM GRADE
(RECOMMENDED)

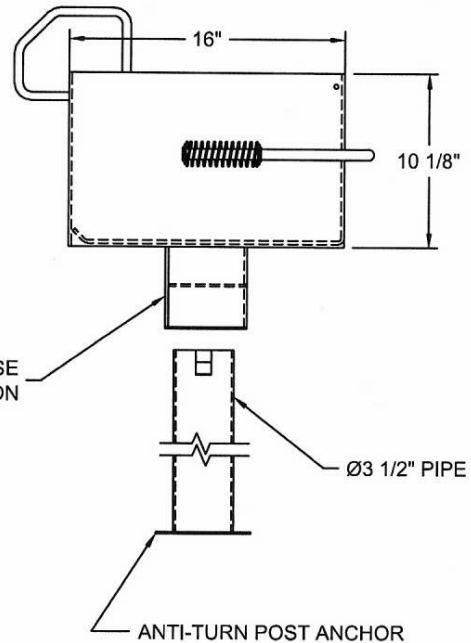
THEFT PROOF BASE
ALLOWS FOR 360° ROTATION

NOTE - SUFFICIENT
AMOUNT OF
CONCRETE SHOULD
BE USED TO
SECURELY HOLD
UNIT IN PLACE FOR
INTENDED USE AND
ENVIRONMENTAL
CONDITIONS



NOTE : CUSTOMER TO PROVIDE CONCRETE (RECOMMENDED)

- Firebox is 23 3/4" long x 16" deep x 10 1/8" high constructed of 3/16" thick steel (A1011) with an integral ash retention flange and drain holes.
- Grate is constructed from 1/2" dia. A36 steel bars located on 1 1/8" centers. The fully adjustable theft proof grate has a cooking area of 334 sq. inches and tilts back for easy cleaning.
- Grate handles are constructed from 5/8" dia. A36 steel bars equipped with stay cool spring grips suitable for public use.
- Grill is supported by a heavy duty 3 1/2" dia. pipe to be installed in concrete. A theft proof base allows the grill to attach to the pipe and to rotate a full 360°.
- All joints are continuously welded.
- All exposed corners are chamfered for safety.
- Standard finish is a non-toxic black powder coat.
- Approximate weight = 90 lbs.



INSTALLATION INSTRUCTIONS:

After post is installed in concrete, lower lock box onto the tabs. Align tabs, push down over tabs and rotate 90°, push down over tabs again.

NATIONAL OUTDOOR FURNITURE, INC.

1210 W. Main Street #296 Riverhead, NY 11901
Toll-Free Phone: 1-888-663-4621
Phone: 631-369-9099 Fax: 631-207-8312
Email: nofinc@optonline.net
www.nationaloutdoorfurniture.com

NATIONAL OUTDOOR FURNITURE, INC.

144 Murdock Road #325 Pomfret Center, CT 06259
Toll-Free Phone: 1-888-516-8873
Phone: 1-860-974-9996 Fax: 516-706-1901
Email: nofinc@earthlink.net
www.nationaloutdoorfurniture.com