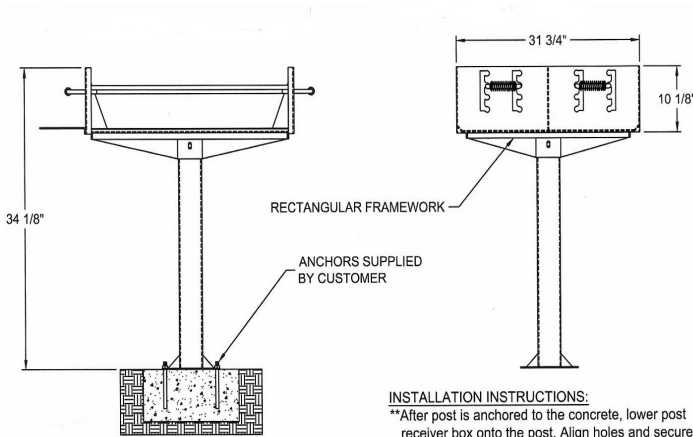




Fully Adjustable Large Group Park Grill, 1040 Square Inch– Pad Mount/ Inground Mount.

- 215 Lbs.
- 1040 Total square inch cooking surface.
- Firebox size: 36 1/8"L x 31 3/4"D x 10 1/8"H.
- Underside of firebox is reinforced with 4" tapered gussets and 3/16" thick x 1" steel bar rectangular framework.
- Constructed of 3/16" thick steel (A1011) with an integral ash retention flange and drain holes.
- Two separate grates are constructed from 1/2" dia. A36 steel bars located on 1 1/8" centers.
- The four position theft proof grates adjust from 3 1/2" to 9" above the firebed.
- Grate handles are constructed from 5/8" dia. A36 steel bars equipped with stay cool spring grips suitable for public use.
- Grill is supported by a heavy duty 4" square gusseted post for stationary concrete mounting.
- Post mounting plate is 3/16" thick x 10" x 10" and has four holes located on 8 1/2" centers.
- Standard shelf is 31 3/4" long x 8" deep.
- All joints are continuously welded.
- All exposed corners are chamfered for safety.
- Standard finish is a non-toxic black powder coat.
- Some assembly required.

Item #: JTA 13773

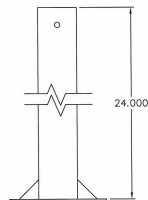
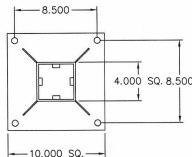


INSTALLATION INSTRUCTIONS:
 **After post is anchored to the concrete, lower post receiver box onto the post. Align holes and secure with the hardware provided.

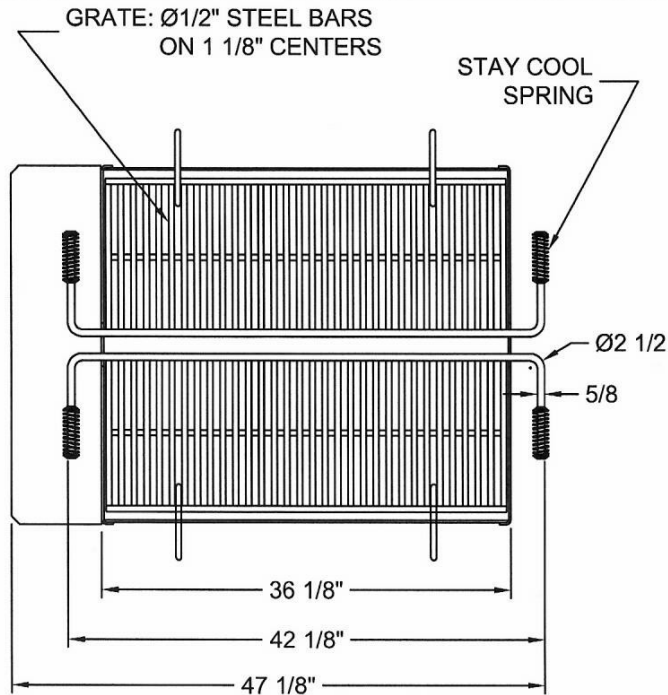
NOTE : CUSTOMER TO PROVIDE CONCRETE (RECOMMENDED)

WARNING: MUST BE PERMANENTLY MOUNTED

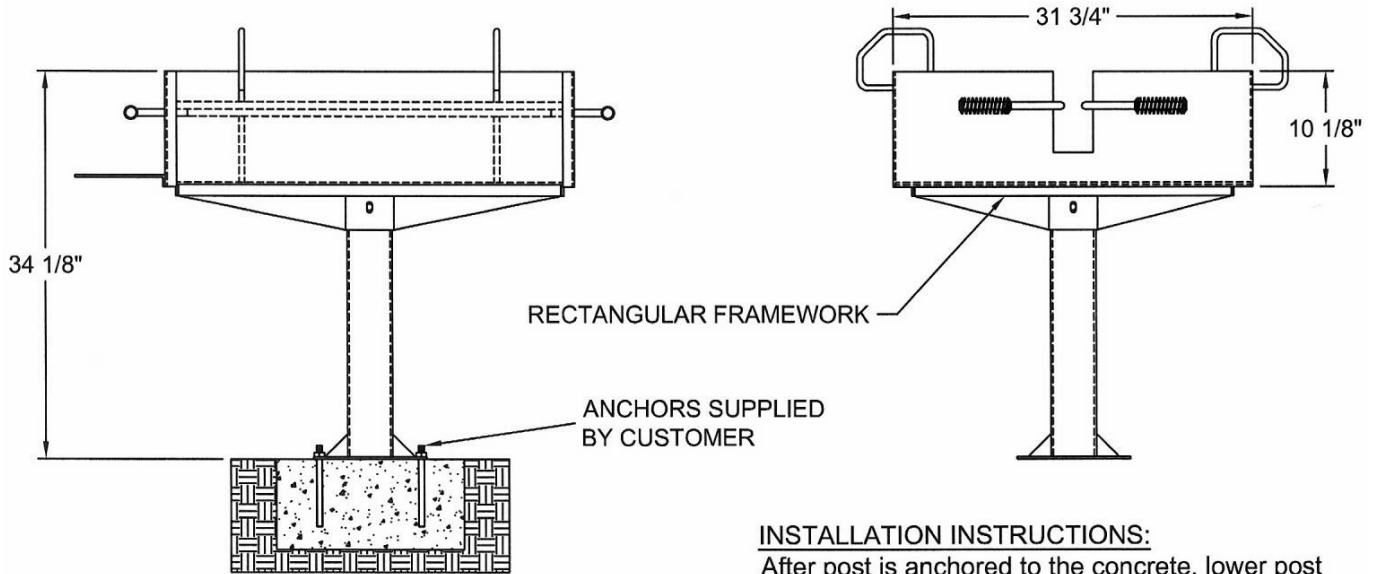
POST ASSEMBLY IS A HEAVY DUTY 4" SQUARE GUSSETED POST FOR STATIONARY CONCRETE MOUNTING. POST MOUNTING PLATE IS 3/16" X THICK X 10" X 10" AND HAS (4) HOLES LOCATED ON 8 1/2" CENTERS



Pad Mount Post



- Firebox is 36 1/8" lg. x 31 3/4" deep x 10 1/8" high constructed of 3/16" thick steel (A1011) with drain holes.
- Underside of firebox is reinforced with 4" tapered gussets and 3/16" thick x 1" steel bar rectangular framework.
- Two separate grates are constructed from 1/2" dia. A36 steel bars located on 1 1/8" centers. The fully adjustable grates adjust from 4" to 12" above the firebed & tilt back for easy cleaning. Each grate has a cooking area of 520 sq. inches for a total of 1040 sq. inches.
- Grate handles are constructed from 5/8" dia. A36 steel bars equipped with stay cool spring grips suitable for public use.
- Grill is supported by a heavy duty 4" square gusseted post for stationary concrete mounting. Post mounting plate is 3/16" thick x 10" x 10" and has four holes located on 8 1/2" centers.
- Standard shelf is 31 3/4" long x 8" deep.
- All joints are continuously welded.
- All exposed corners are chamfered for safety.
- Standard finish is a non-toxic black powder coat.
- Approximate weight = 215 lbs.



NOTE : CUSTOMER TO PROVIDE CONCRETE (RECOMMENDED)

INSTALLATION INSTRUCTIONS:

After post is anchored to the concrete, lower post receiver box onto the post. Align holes and secure with the hardware provided.

WARNING: MUST BE PERMANENTLY MOUNTED

<p>NATIONAL OUTDOOR FURNITURE, INC. 1210 W. Main Street #296 Riverhead, NY 11901 Toll-Free Phone: 1-888-663-4621 Phone: 631-369-9099 Fax: 631-207-8312 Email: nofinc@optonline.net www.nationaloutdoorfurniture.com</p>	<p>NATIONAL OUTDOOR FURNITURE, INC. 144 Murdock Road #325 Pomfret Center, CT 06259 Toll-Free Phone: 1-888-516-8873 Phone: 1-860-974-9996 Fax: 516-706-1901 Email: nofinc@earthlink.net www.nationaloutdoorfurniture.com</p>
---	---