



### Miami Lowback Stacking Armchair

- Master pack 4 and 16.
- Made of 100% resin.
- 8.00 Lbs. each.
- 21"W x 22.5"D x 31.75"H.
- ASTM F 1561 Class B commercial rating.
- UV Inhibitors.
- Rated to 300 Lbs. For safe use in commercial environments.
- \$50.00 charge for orders under \$500.00.

**Item #:** GR ISC

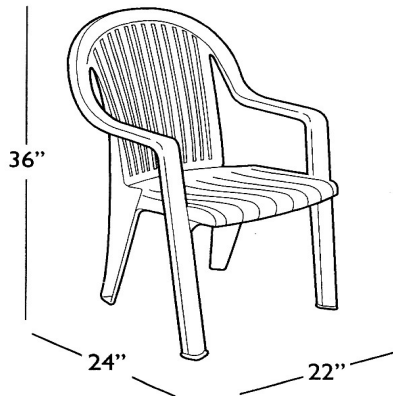
### Resin Chair Colors



**White**



**Sandstone**



#### **NATIONAL OUTDOOR FURNITURE, INC.**

1210 W. Main Street #296. Riverhead, NY 11901

Toll-Free Phone: 1-888-663-4621

Phone: 631-369-9099 Fax: 631-207-8312

Email: [nofinc@optonline.net](mailto:nofinc@optonline.net)

[www.nationaloutdoorfurniture.com](http://www.nationaloutdoorfurniture.com)

#### **NATIONAL OUTDOOR FURNITURE, INC.**

144 Murdock Road #325 Pomfret Center, CT 06259

Toll-Free Phone: 1-888-516-8873

Phone: 1-860-974-1551 Fax: 516-706-1901

Email: [nofinc@earthlink.net](mailto:nofinc@earthlink.net)

[www.nationaloutdoorfurniture.com](http://www.nationaloutdoorfurniture.com)