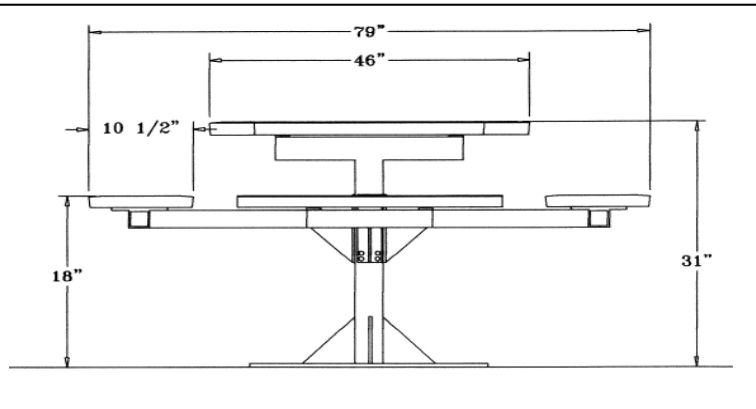




46" Round Regal Table with (4) Attached Concave Seats - Surface Mount.

- 361 lbs. Overall Dim: 79" x 79" Square x 31"Ht.
- Top and seats are made with polyethylene $\frac{3}{4}$ " #9 expanded metal inside a $\frac{3}{4}$ " x 2" x $\frac{1}{8}$ " angle iron frame.
- 4" square galvanized, zinc coated powder coated pedestal.

- With umbrella hole.
 - Some assembly required.
- Item #: WC RRD46SM**



Textured Polyethylene Colors



Powder Coat Gloss Finishes



Thermoplastic Color Options



NATIONAL OUTDOOR FURNITURE, INC.
 1210 W. Main Street #296 Riverhead, NY 11901
 Toll-Free Phone: 1-888-663-4621
 Phone: 631-369-9099 Fax: 631-207-8312
 Email: nofinc@optonline.net
www.nationaloutdoorfurniture.com

NATIONAL OUTDOOR FURNITURE, INC.
 144 Murdock Road #325 Pomfret Center, CT 06259
 Toll-Free Phone: 1-888-516-8873
 Phone: 1-860-974-1551 Fax: 516-706-1901
 Email: nofinc@earthlink.net
www.nationaloutdoorfurniture.com