



**46" Round Regal Table with (3) Attached Concave, Solid Top - Portable. Non ADA.**

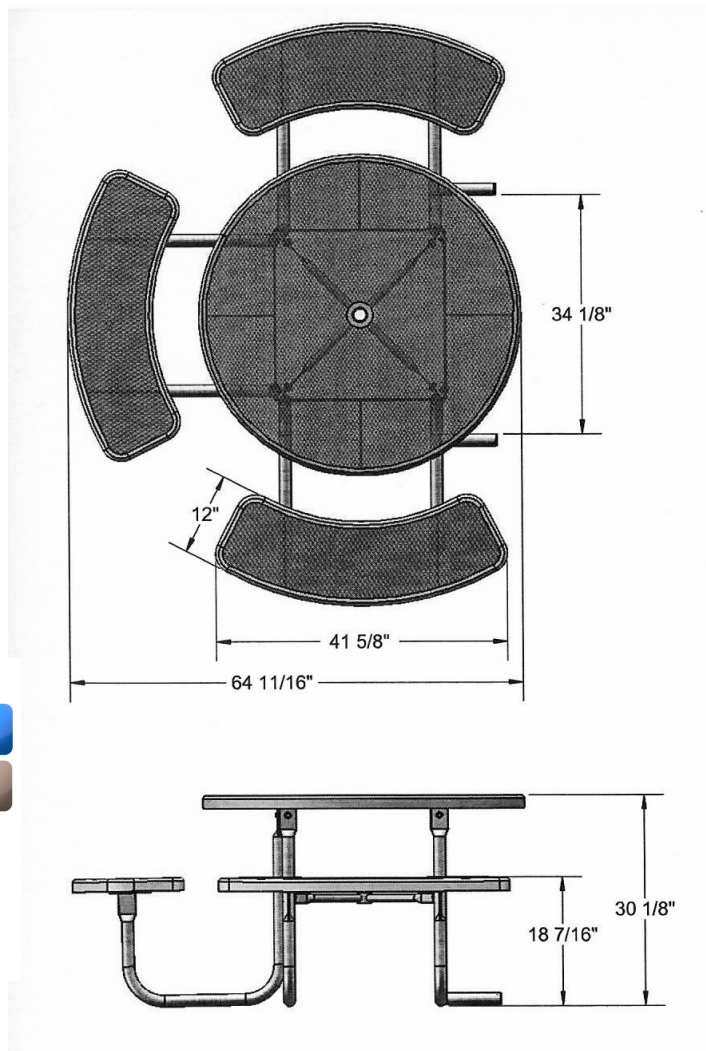
- 224 lbs.
- Polyethylene coated solid top.
- 3/4" #9 Polyethylene expanded metal seats inside a 2" x 2" x 1/8" angle iron frame.
- 1 5/8" Zinc coated, powder coated galvanized steel frame.
- With umbrella hole.
- Surface and inground mounting clamps available.
- Some assembly required.

**NOF#:** WC RSRD46-3P



**Regal Style Portable**

**Portable Table Mounting Options**



**Textured Polyethylene Colors**



**Powder Coat Gloss Finishes**



**Thermoplastic Color Options**



**NATIONAL OUTDOOR FURNITURE, INC.**  
 1210 W. Main Street #296 Riverhead, NY 11901  
 Toll-Free Phone: 1-888-663-4621  
 Phone: 631-369-9099 Fax: 631-207-8312  
 Email: [nofinc@optonline.net](mailto:nofinc@optonline.net)  
[www.nationaloutdoorfurniture.com](http://www.nationaloutdoorfurniture.com)

**NATIONAL OUTDOOR FURNITURE, INC.**  
 144 Murdock Road #325 Pomfret Center, CT 06259  
 Toll-Free Phone: 1-888-516-8873  
 Phone: 1-860-974-1551 Fax: 516-706-1901  
 Email: [nofinc@earthlink.net](mailto:nofinc@earthlink.net)  
[www.nationaloutdoorfurniture.com](http://www.nationaloutdoorfurniture.com)