



42" Round Regal Table with (4) Attached Seats & Backs - Portable.

- 200 Lbs.
- 3/4" #9 Polyethylene coated expanded metal seats/back/top.
- 1 5/8" zinc coated, powder coated galvanized frame.
- With umbrella hole.
- Surface and inground mounting clamps available.
- Some assembly required.

Item #: WC RD42WBP



Regal Style

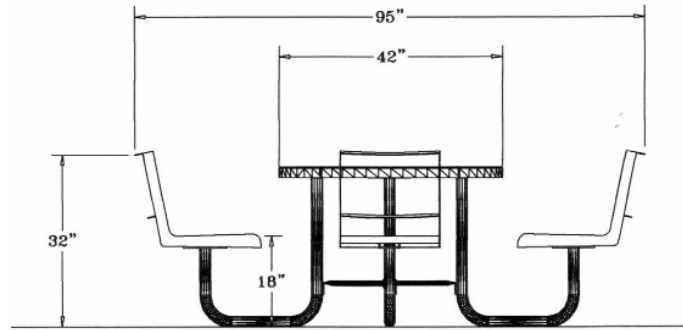
Portable Table Mounting Options



Surface Mounting Clamp



Inground Mounting Clamp



Textured Polyethylene Colors



Powder Coat Gloss Finishes



Thermoplastic Color Options



NATIONAL OUTDOOR FURNITURE, INC.
 1210 W. Main Street #296 Riverhead, NY 11901
 Toll-Free Phone: 1-888-663-4621
 Phone: 631-369-9099 Fax: 631-207-8312
 Email: nofinc@optonline.net
www.nationaloutdoorfurniture.com

NATIONAL OUTDOOR FURNITURE, INC.
 144 Murdock Road #325 Pomfret Center, CT 06259
 Toll-Free Phone: 1-888-516-8873
 Phone: 1-860-974-1551 Fax: 516-706-1901
 Email: nofinc@earthlink.net
www.nationaloutdoorfurniture.com