



**Perforated Style
Portable**

6 Ft. Perforated Bench Buddy Bench with Back.

- No charge for standard custom lettering. Limits apply for amount of letters and spaces. Please inquiry.
- Custom logos will have a one time set up fee.
- 149 lbs.
- Seat and back is made with large hole polyethylene coated 11 gauge punched steel seat.
- (2) 2 3/8" Zinc coated, powder coated galvanized steel legs.
- 10 1/2" Deep.
- Optional sleep seat and surface mounting clamps.
- Some assembly required.

WC PBB6WBPC 6 Ft. Bench - Portable

WC PBB6WBIGC 6 Ft. Bench - Inground Mount

WC PBB6WBSMC 6 Ft. Bench - Surface Mount.

Portable Table Mounting Options



Textured Polyethylene Colors

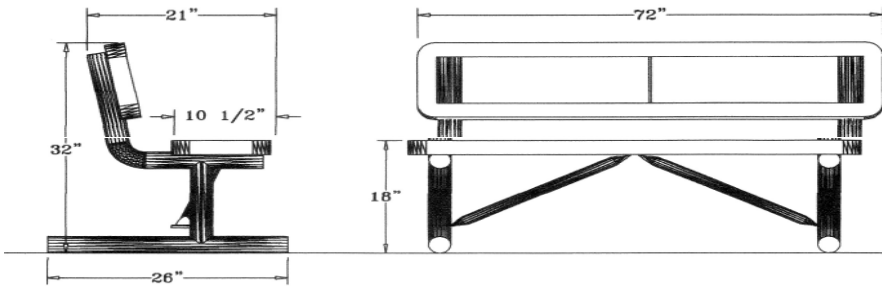


Powder Coat Gloss Finishes

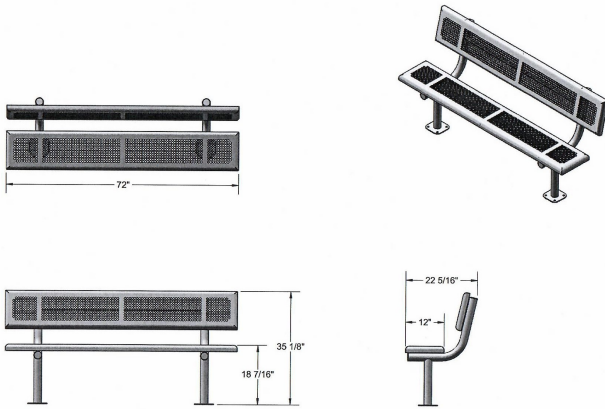


Thermoplastic Color Options

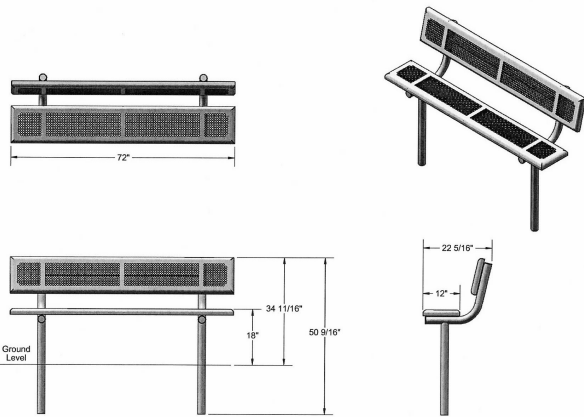




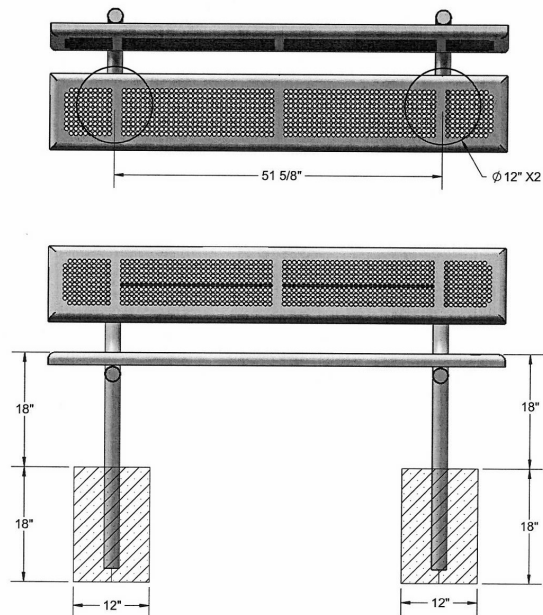
Portable



Surface Mount



Inground Mount



NATIONAL OUTDOOR FURNITURE, INC.
 1210 W. Main Street #296 Riverhead, NY 11901
 Toll-Free Phone: 1-888-663-4621
 Phone: 631-369-9099 Fax: 631-207-8312
 Email: nofinc@optonline.net
www.nationaloutdoorfurniture.com

NATIONAL OUTDOOR FURNITURE, INC.
 144 Murdock Road #325 Pomfret Center, CT 06259
 Toll-Free Phone: 1-888-516-8873
 Phone: 1-860-974-9996 Fax: 516-706-1901
 Email: nofinc@earthlink.net
www.nationaloutdoorfurniture.com