

## 6 Ft. Regal Double Mounted Bench - Inground Mount.

- 6' Dimensions: 72"L x 32"Ht. 230 Lbs.
- Two 4" x 4" O.D. zinc coated, powder coated galvanized steel legs.
- 2" x 2" x 1/8" angle iron frame.
- 10 1/2" Deep seat.
- Some assembly required.

**Item #:** WC R4DB6WBIG



**6' Regal Style  
Inground Mount**

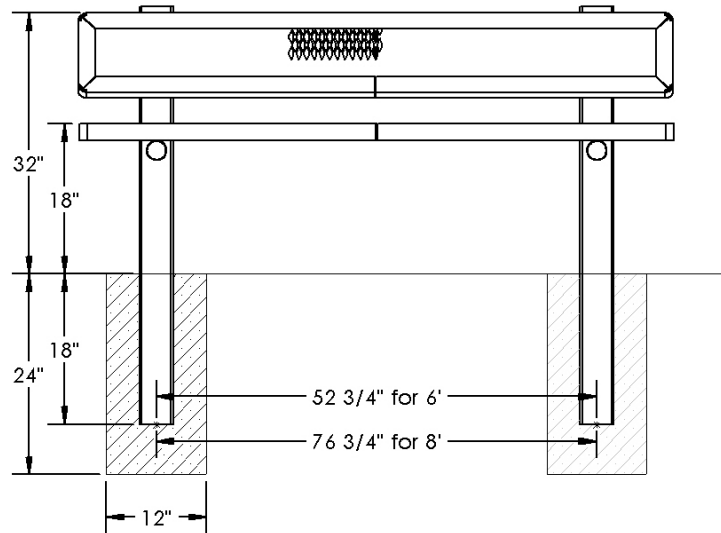
## 8 Ft. Regal Double Mounted Bench - Inground Mount.

- 8' Dimensions: 96"L x 32"Ht. 358 Lbs.
- Two 4" x 4" O.D. zinc coated, powder coated galvanized steel legs.
- 2" x 2" x 1/8" angle iron frame.
- 10 1/2" Deep seat.
- Some assembly required.

**Item #:** WC R4DB8WBIG



**8' Regal Style  
Inground Mount**



### Textured Polyethylene Colors



### Thermoplastic Color Options



### Powder Coat Gloss Finishes



### NATIONAL OUTDOOR FURNITURE, INC.

1210 W. Main Street #296 Riverhead, NY 11901  
 Toll-Free Phone: 1-888-663-4621  
 Phone: 631-369-9099 Fax: 631-207-8312  
 Email: [nofinc@optonline.net](mailto:nofinc@optonline.net)  
[www.nationaloutdoorfurniture.com](http://www.nationaloutdoorfurniture.com)

### NATIONAL OUTDOOR FURNITURE, INC.

144 Murdock Road #325 Pomfret Center, CT 06259  
 Toll-Free Phone: 1-888-516-8873  
 Phone: 1-860-974-1551 Fax: 516-706-1901  
 Email: [nofinc@earthlink.net](mailto:nofinc@earthlink.net)  
[www.nationaloutdoorfurniture.com](http://www.nationaloutdoorfurniture.com)