



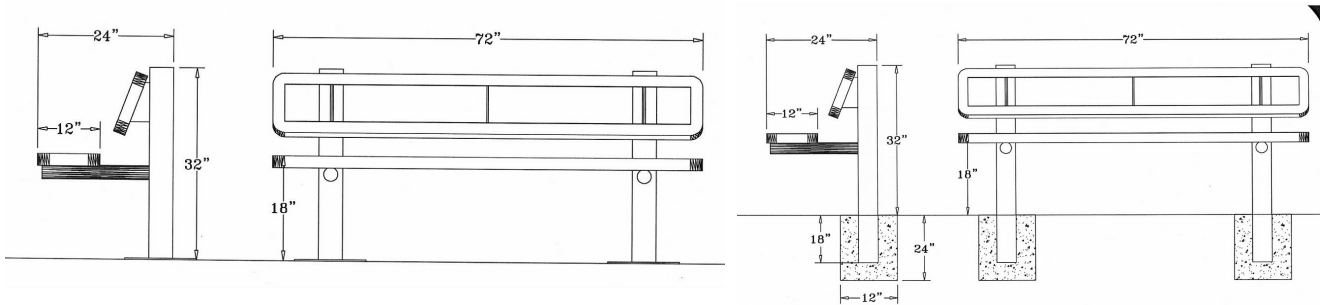
**Perforated Style
Inground Mount**

6' Perforated Bench - Surface And Inground Mounted.

- 176 lbs.
- 72"L x 32"Ht. 176 Lbs.
- 2" x 2" x 1/8" Angle iron frame.
- Two 4" x 4" O.D. zinc coated powder coated galvanized steel legs.
- 12" Deep seat.
- All edges are rolled to a 2" radius to form a rounded edge.
- 1/4" x 1 1/2" Steel bracing are welded to underside.
- All hardware is non corrosive.
- Some assembly required.

Item #: WC P4B6WBSM

WC P4B6WBSM	6 Ft. Surface Mount. 176 Lbs.
WC P4B6WBIG	6 Ft. Inground Mount. 176 Lbs.
WC P4B8WBSM	8 Ft. Surface Mount. 234 Lbs.
WC P4B8WBIG	8 Ft. Inground Mount. 234 Lbs.



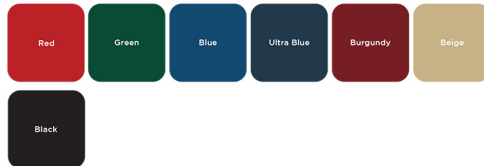
Textured Polyethylene Colors



Powder Coat Gloss Finishes



Thermoplastic Color Options



NATIONAL OUTDOOR FURNITURE, INC.
 1210 W. Main Street #296 Riverhead, NY 11901
 Toll-Free Phone: 1-888-663-4621
 Phone: 631-369-9099 Fax: 631-207-8312
 Email: nofinc@optonline.net
www.nationaloutdoorfurniture.com

NATIONAL OUTDOOR FURNITURE, INC.
 144 Murdock Road #325 Pomfret Center, CT 06259
 Toll-Free Phone: 1-888-516-8873
 Phone: 1-860-974-1551 Fax: 516-706-1901
 Email: nofinc@earthlink.net
www.nationaloutdoorfurniture.com