

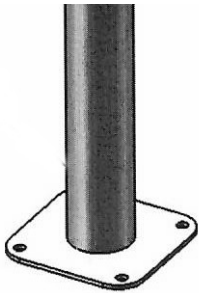


Dual Grate Grill, 550 Sq. Inch - Inground & Surface Mount.

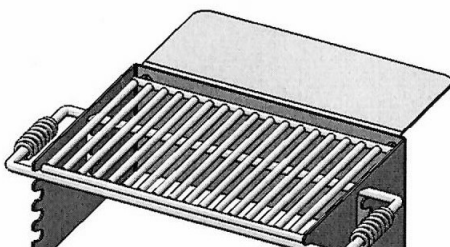
- 130 Lbs.
- 550 Total square inch cooking surface.
- Firebox size: 20" L x 28" D x 8" H.
- Cooking grate has cool coiled handles and can be adjusted to four different levels.
- All MIG welded.
- 3 1/2" Galvanized iron post.
- Durable high temp black powder coated firebox.
- Durable rust resistant high temp black powder coated firebox.
- Surface mounted and inground mounted versions available.
- Optional hot dipped galvanized firebox and utility shelf.
- Some assembly required.

Item #: US 650

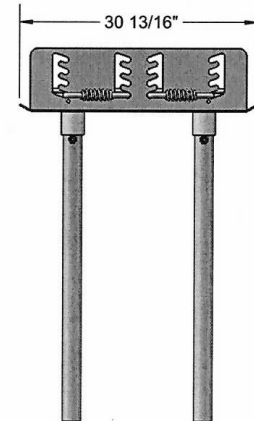
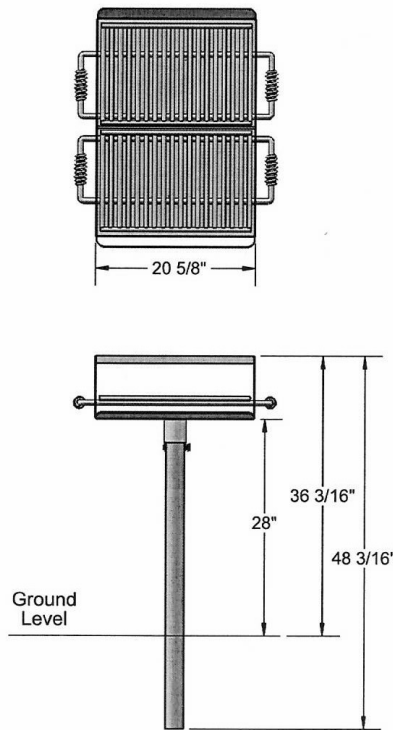
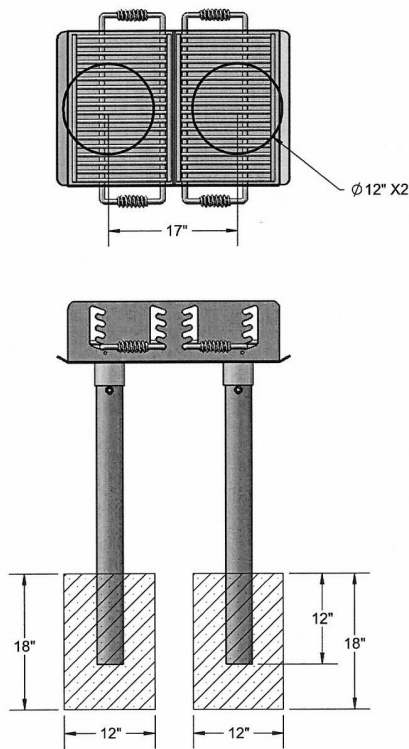
Model Number	Description
US 650-3	Grill with 3 1/2" O.D. Post, 130 Lbs., Inground Mount.
US 650SM-3	Grill with 3 1/2" O.D. Post , 130 Lbs., Surface Mount.
US 650-3-U	Grill with 3 1/2" O.D. Post, 145 Lbs., With Utility Shelf, Inground Mount.



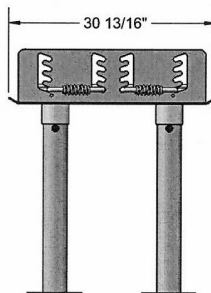
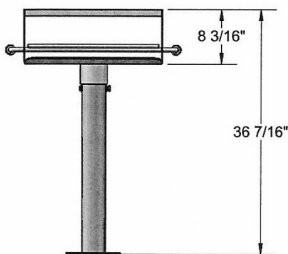
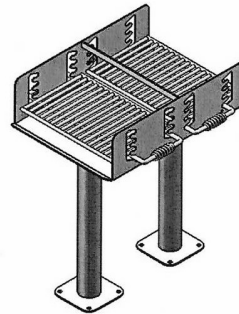
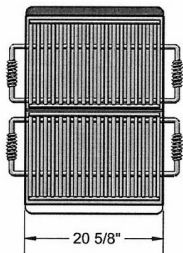
Surface Mount



Optional Utility Shelf



US 650-3



US 650SM-3-U

NATIONAL OUTDOOR FURNITURE, INC.
 1210 W. Main Street #296 Riverhead, NY 11901
 Toll-Free Phone: 1-888-663-4621
 Phone: 631-369-9099 Fax: 631-207-8312
 Email: nofinc@optonline.net
www.nationaloutdoorfurniture.com

NATIONAL OUTDOOR FURNITURE, INC.
 144 Murdock Road #325 Pomfret Center, CT 06259
 Toll-Free Phone: 1-888-516-8873
 Phone: 1-860-974-9996 Fax: 516-706-1901
 Email: nofinc@earthlink.net
www.nationaloutdoorfurniture.com