



6' Recycled Plastic Picnic Table with (2) Attached Seats, Galvanized Frame - Portable.

- 230 lbs.
- Dim: 72"W x 69 3/8"D x 30"H - Top is 3/4"D.
- Table top and seats are made with 2" x 10" recycled plastic slats. 2 3/8" O.D. galvanized frame.
- All holes are predrilled and countersunk for plastic lumber.
- Includes a UV protectant.
- Maintenance free.
- No umbrella hole.
- Table top and seats available with galvanized or black powder coated frames.
- Some assembly required.

NOF# JP PB6GFPIC

Resinwood Slat Colors



Cedar



Green



Gray

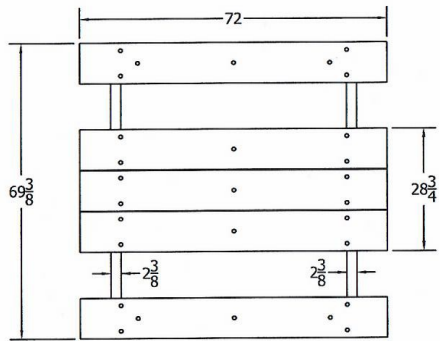


Brown

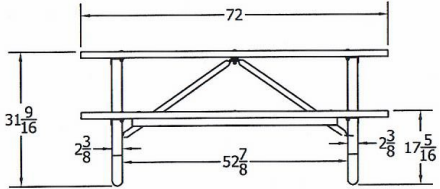
Model Number	Description
JP PB6GFPIC	6 Ft. Table 230 Lbs.
JP PB8GFPIC	8 Ft. Table 270 Lbs.

NATIONAL OUTDOOR FURNITURE, INC.
 1210 W. Main Street #296. Riverhead, NY 11901
 Toll-Free Phone: 1-888-663-4621
 Phone: 631-369-9099 Fax: 631-207-8312
 Email: nofinc@optonline.net
www.nationaloutdoorfurniture.com

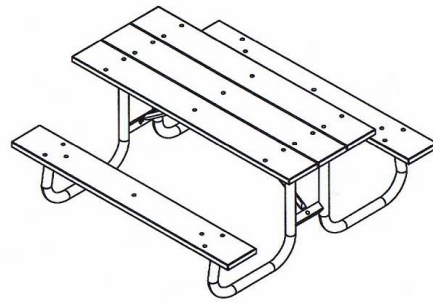
NATIONAL OUTDOOR FURNITURE, INC.
 144 Murdock Road #325 Pomfret Center, CT 06259
 Toll-Free Phone: 1-888-516-8873
 Phone: 1-860-974-1551 Fax: 516-706-1901
 Email: nofinc@earthlink.net
www.nationaloutdoorfurniture.com



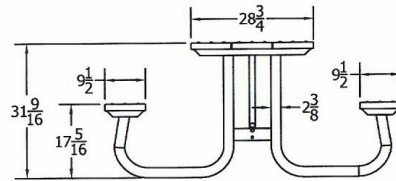
TOP VIEW



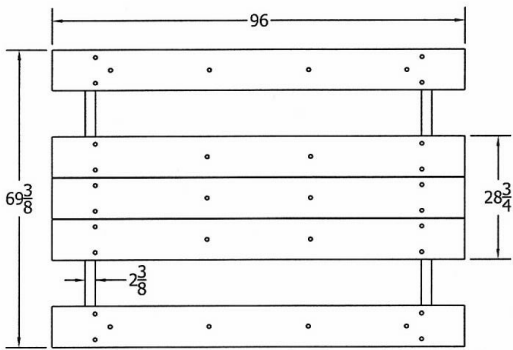
FRONT VIEW



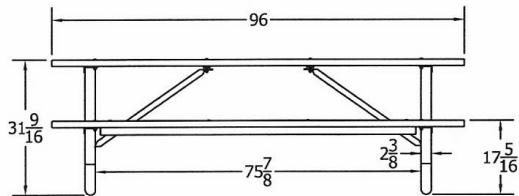
3D ISOMETRIC VIEW



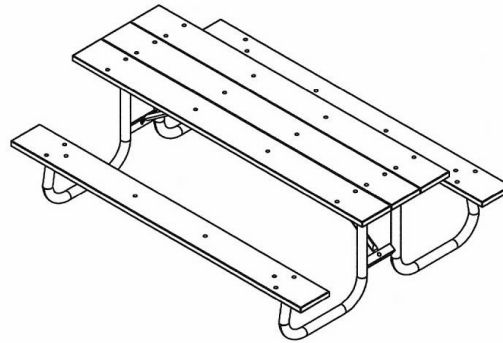
SIDE VIEW



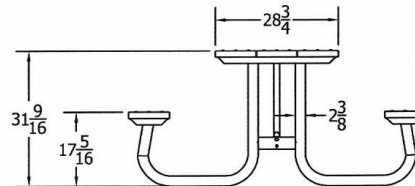
TOP VIEW



FRONT VIEW



3D ISOMETRIC VIEW



SIDE VIEW

NATIONAL OUTDOOR FURNITURE, INC.
 1210 W. Main Street #296. Riverhead, NY 11901
 Toll-Free Phone: 1-888-663-4621
 Phone: 631-369-9099 Fax: 631-207-8312
 Email: nofinc@optonline.net
www.nationaloutdoorfurniture.com

NATIONAL OUTDOOR FURNITURE, INC.
 144 Murdock Road #325 Pomfret Center, CT 06259
 Toll-Free Phone: 1-888-516-8873
 Phone: 1-860-974-1551 Fax: 516-706-1901
 Email: nofinc@earthlink.net
www.nationaloutdoorfurniture.com