



Hex Recycled Plastic Picnic Table with Attached Seats - Portable.

- 250 lbs.
- Dim: 72" x72" Overall Width x 39"D Top.
- Made with 100% recycled plastic slats and black recycled plastic base.
- All holes are predrilled and countersunk for plastic lumber.
- Includes a UV protectant.
- Maintenance free.
- With umbrella hole.
- Available in black or green base
- Also available in ADA.
- Some assembly required.

Item #: JP PB6HEX

Resinwood Slat Colors



Cedar



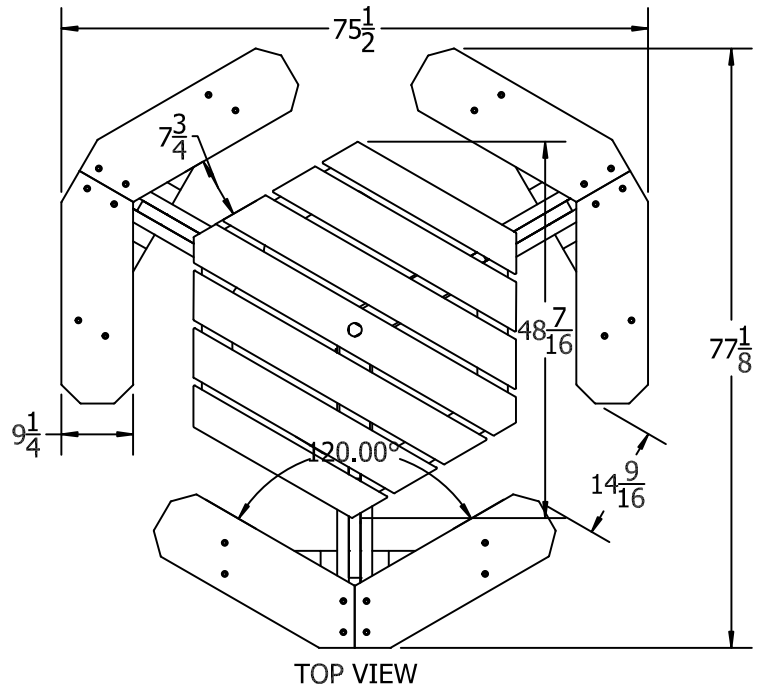
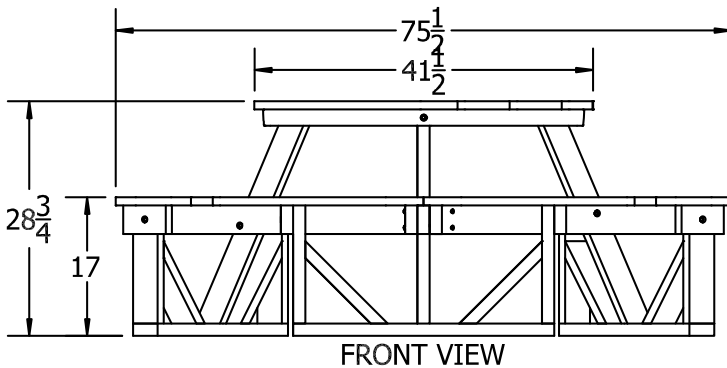
Green



Gray



Brown



NATIONAL OUTDOOR FURNITURE, INC.
 1210 W. Main Street #296 Riverhead, NY 11901
 Toll-Free Phone: 1-888-663-4621
 Phone: 631-369-9099 Fax: 631-207-8312
 Email: nofinc@optonline.net
www.nationaloutdoorfurniture.com

NATIONAL OUTDOOR FURNITURE, INC.
 144 Murdock Road #325 Pomfret Center, CT 06259
 Toll-Free Phone: 1-888-516-8873
 Phone: 1-860-974-1551 Fax: 516-706-1901
 Email: nofinc@earthlink.net
www.nationaloutdoorfurniture.com