

N.O.F. / Inc.



48" Square Recycled Plastic Table with (3) Attached Seats - ADA - Portable.

- 220 lbs.
- Dim: 48" Square Top x 30"H.
- Table top and seats are made with 2" x 10" recycled plastic and top with 1 5/8" dia. hot dipped galvanized powdercoated frame.
- All holes are predrilled and countersunk for plastic lumber.
- Includes a UV protectant.
- Maintenance free.
- Table top and seats available in green, brown, cedar and green with black base.
- Mounting clamps available.
- With umbrella hole.
- Some assembly required.

Item #: JP PB4SQPICADA

Resinwood Slat Colors



Cedar



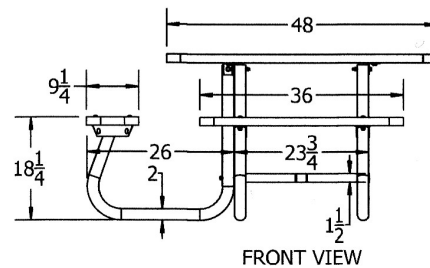
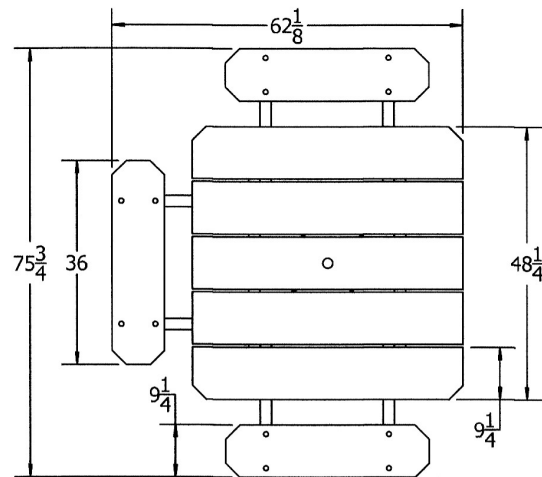
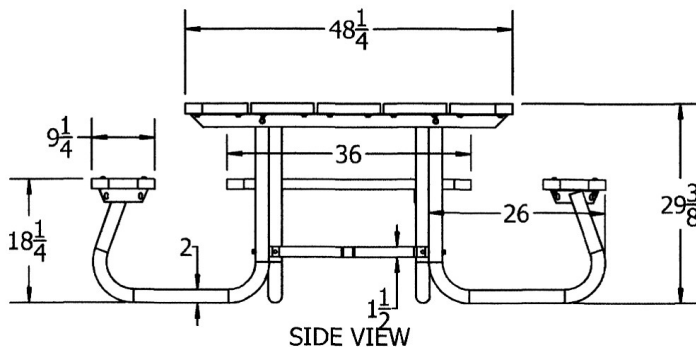
Green



Gray



Brown



NATIONAL OUTDOOR FURNITURE, INC.

1210 W. Main Street #296 Riverhead, NY 11901
 Toll-Free Phone: 1-888-663-4621
 Phone: 631-369-9099 Fax: 631-207-8312
 Email: nofinc@optonline.net
www.nationaloutdoorfurniture.com

NATIONAL OUTDOOR FURNITURE, INC.

144 Murdock Road #325 Pomfret Center, CT 06259
 Toll-Free Phone: 1-888-516-8873
 Phone: 1-860-974-1551 Fax: 516-706-1901
 Email: nofinc@earthlink.net
www.nationaloutdoorfurniture.com