

N.O.F. / Inc.



4' Trailside Recycled Plastic Bench – Inground Mount.

- Also available in 6' and 8' lengths. Shown in 4 ft. size.
 - 100 lbs.
 - Dim: 48"W x 14 3/4"D.
 - Made with four 4" x 4" recycled plastic slats and (2) black powdercoated steel legs.
 - All holes are predrilled and countersunk for plastic lumber.
 - Includes a UV protectant.
 - Maintenance free.
 - Available in green, gray, brown and cedar with black base.
 - Some assembly required.
- Item#** JP PB4TRAIING

Model Number	Weight	Dimensions
JP PB4TRAIING	100 Lbs.	48"W x 14 3/4"D.- 2 Bases
JP PB6TRAIING	145 Lbs.	72"W x 14 3/4"D.- 3 Bases
JP PB8TRAIING	195 Lbs.	96"W x 14 3/4"D.- 4 Bases

Resinwood Slat Colors



Cedar



Green



Gray

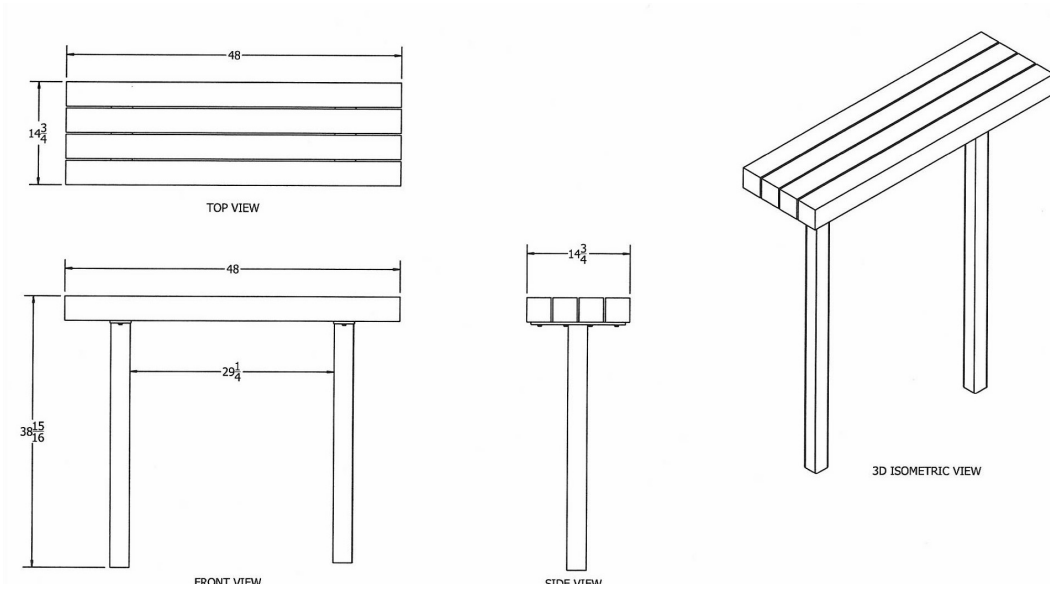


Brown

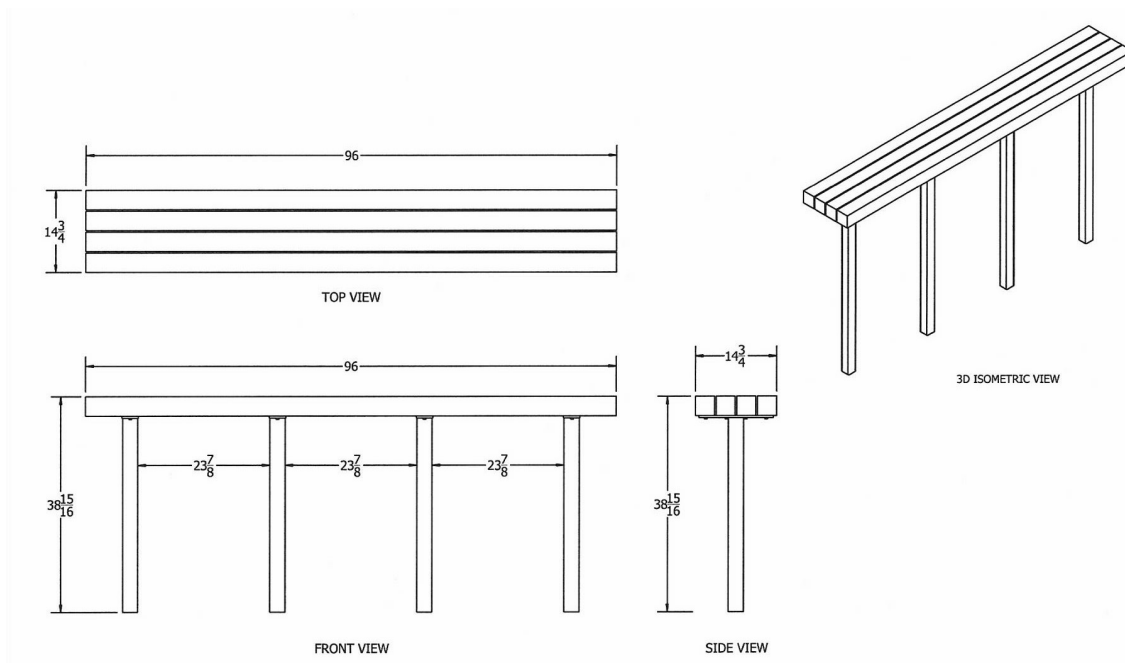
NATIONAL OUTDOOR FURNITURE, INC.
 1210 W. Main Street #296 Riverhead, NY 11901
 Toll-Free Phone: 1-888-663-4621
 Phone: 631-369-9099 Fax: 631-207-8312
 Email: nofinc@optonline.net
www.nationaloutdoorfurniture.com

NATIONAL OUTDOOR FURNITURE, INC.
 144 Murdock Road #325 Pomfret Center, CT 06259
 Toll-Free Phone: 1-888-516-8873
 Phone: 1-860-974-9996 Fax: 516-706-1901
 Email: nofinc@earthlink.net
www.nationaloutdoorfurniture.com

4 Ft Bench



8 Ft Bench



NATIONAL OUTDOOR FURNITURE, INC.
 1210 W. Main Street #296 Riverhead, NY 11901
 Toll-Free Phone: 1-888-663-4621
 Phone: 631-369-9099 Fax: 631-207-8312
 Email: nofinc@optonline.net
www.nationaloutdoorfurniture.com

NATIONAL OUTDOOR FURNITURE, INC.
 144 Murdock Road #325 Pomfret Center, CT 06259
 Toll-Free Phone: 1-888-516-8873
 Phone: 1-860-974-9996 Fax: 516-706-1901
 Email: nofinc@earthlink.net
www.nationaloutdoorfurniture.com