



46" Square Perforated Table with (3) Attached Seats - Portable. Non ADA.

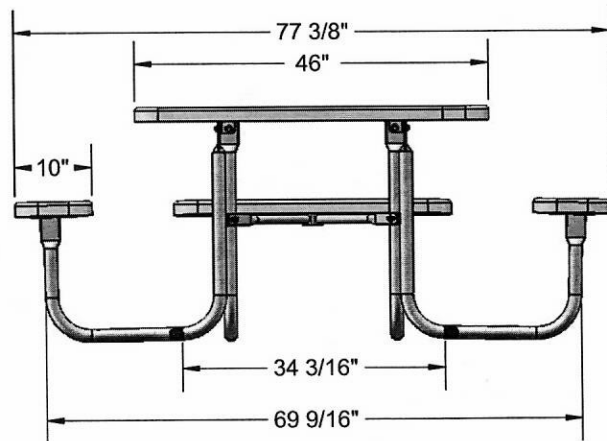
- 290 lbs.
- Large hole polyethylene 11 gauge punched steel seats/top.
- 1 5/8" zinc coated, powder coated galvanized frame.
- With umbrella hole.
- Surface mounting clamps available.
- Some assembly required.

Item #: WC PFSQ46-3P

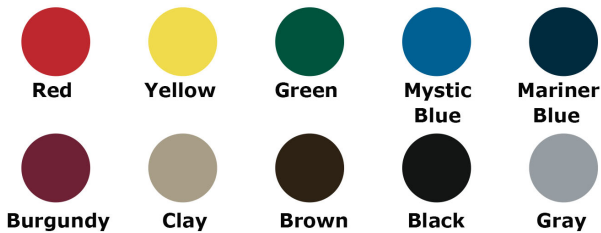


Perforated Style Portable

Portable Table Mounting Options



Textured Polyethylene Colors



Powder Coat Gloss Colors



NATIONAL OUTDOOR FURNITURE, INC.
 1210 W. Main Street #296 Riverhead, NY 11901
 Toll-Free Phone: 1-888-663-4621
 Phone: 631-369-9099 Fax: 631-207-8312
 Email: nofinc@optonline.net
www.nationaloutdoorfurniture.com

NATIONAL OUTDOOR FURNITURE, INC.
 144 Murdock Road #325 Pomfret Center, CT 06259
 Toll-Free Phone: 1-888-516-8873
 Phone: 1-860-974-1551 Fax: 516-706-1901
 Email: nofinc@earthlink.net
www.nationaloutdoorfurniture.com