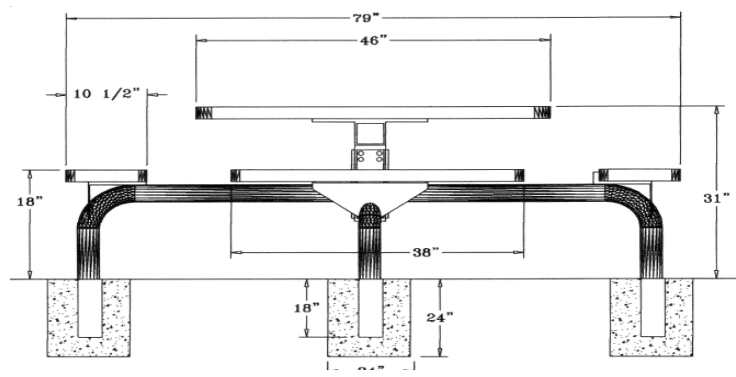


**Regal Web Style
Inground Mount**

46" Round Web Table with (4) Attached Concave Seats - Inground Mount.

- 268 lbs.
- Top and seats are made with polyethylene 3/4" #9 expanded metal inside a 2" x 2" x 1/8" angle iron frame.
- 2 3/8" zinc coated, powder coated galvanized steel frame.
- With umbrella hole.
- Some assembly required.

Item #: WC WRD46IG



Textured Polyethylene Colors



Powder Coat Gloss Finishes



Thermoplastic Color Options



National Outdoor Furniture
1210 W. Main Street #296
Riverhead, N.Y. 11901

PHONE (888) 663-4621
E-MAIL nofinc1@gmail.com

www.nationaloutdoorfurniture.com