



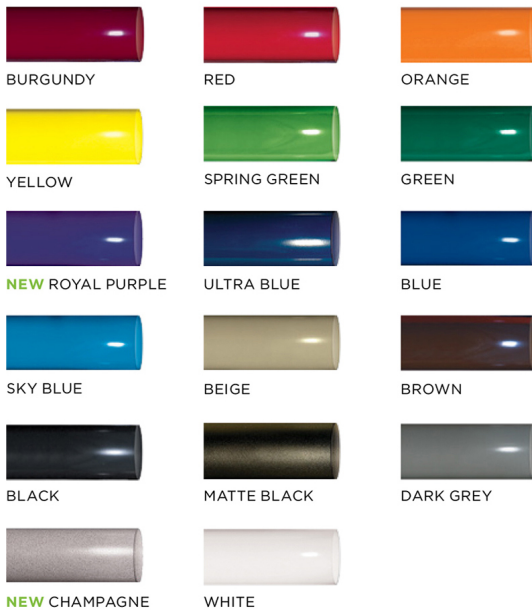
US 238-SR8 8 Ft. Table, 268 Lbs.



Thermoplastic Colors



Standard Powder Coat Colors



6 Ft. Oxford Table - Portable.

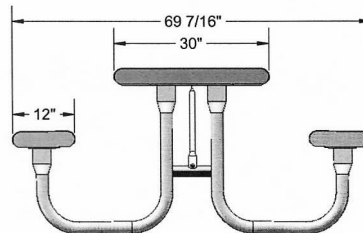
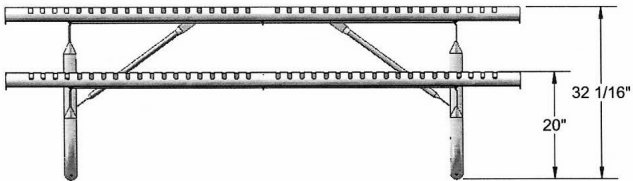
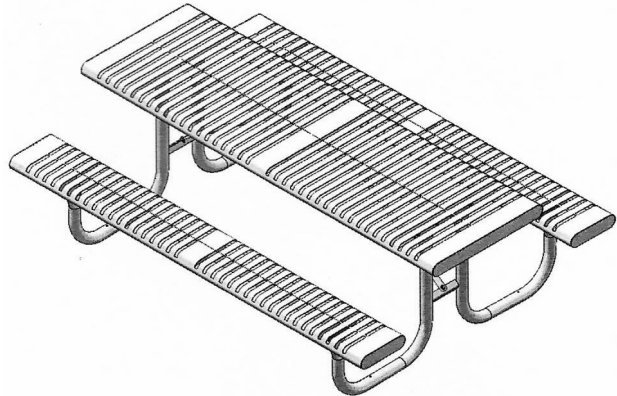
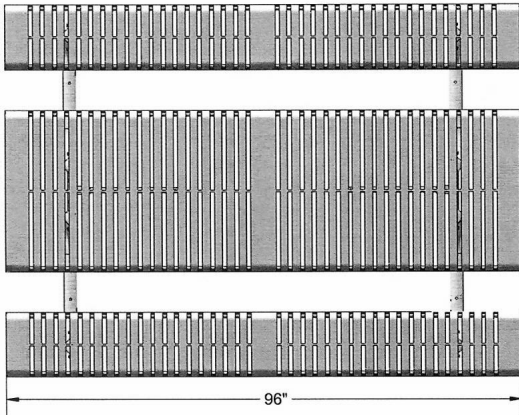
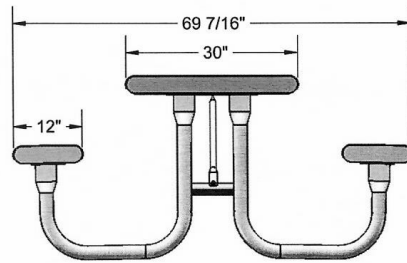
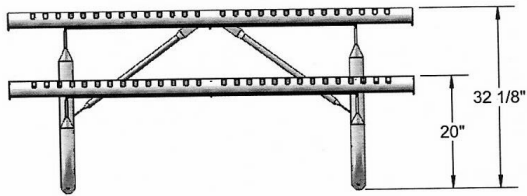
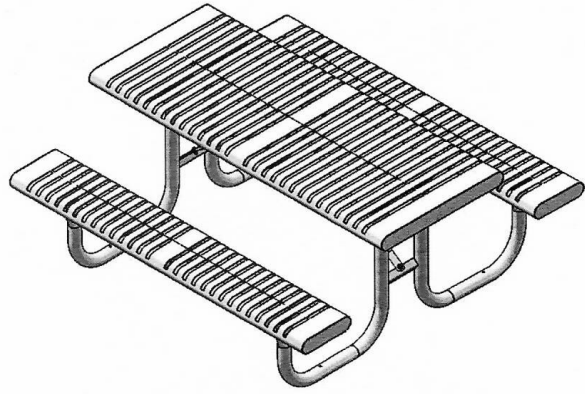
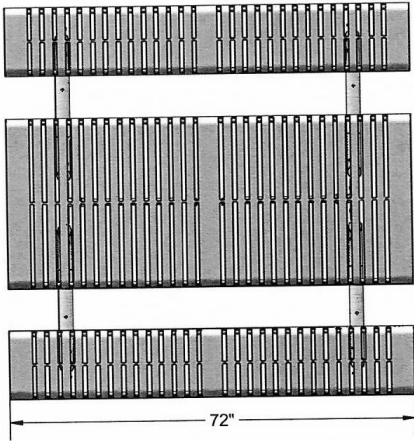
- 238 Lbs.
- Overall Dimensions: 72"L x 69 7/16"W x 32 18"H.
- Tops & Seats: 7 gauge x 3" with 3" diameter corners.
- 12 Gauge sheet metal. 7 Gauge flat bar center support.
- All MIG welded frame
- Thermoplastic coating on seats and tops.
- Powder coated frames.
- Frame 2 3/8" O.D. x 12 gauge pre-galvanized steel tubing.
- All stainless steel hardware.
- Some assembly required.
- **NOF #: US 238-SR6**



National Outdoor Furniture
 1210 W. Main Street #296
 Riverhead, N.Y. 11901

PHONE (888) 663-4621
 E-MAIL nofinc1@gmail.com

www.nationaloutdoorfurniture.com



National Outdoor Furniture
1210 W. Main Street #296
Riverhead, N.Y. 11901

PHONE (888) 663-4621
E-MAIL nofinc1@gmail.com

www.nationaloutdoorfurniture.com