



**48" Square Wood Picnic Table - Surface and Inground Mount.**

- 249 - 275 Lbs.
- Overall Dimensions: 76"L x 76"W x 30"H.
- 4" x 4" Square main post with 4" x 4" round arm posts.
- Zinc or galvanized plate hardware.
- Zinc coated, powder coated galvanized frame.
- Available in 2" x 10" Untreated Pine, Treated Pine and Redwood Stained planks. Without umbrella hole.
- Available in surface mount and inground mount.
- Some assembly required.

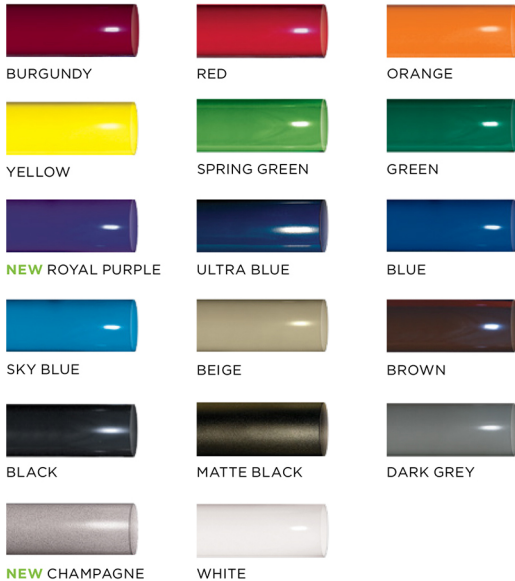
**Item #:** US 338



**Wood Planks**  
 2" x 10" and 2" x 4" sizes  
 Rounded Edges  
 #1 Southern Yellow Pine

(U) Untreated  
 (PT) Pressure Treated  
 Environmentally Friendly ACQ  
 Kiln Dried Before & After Treatment  
 (T) Treated Stain  
 Sealed in Redwood Stain With  
 Wood Preservative

**Standard Powder Coat Colors**



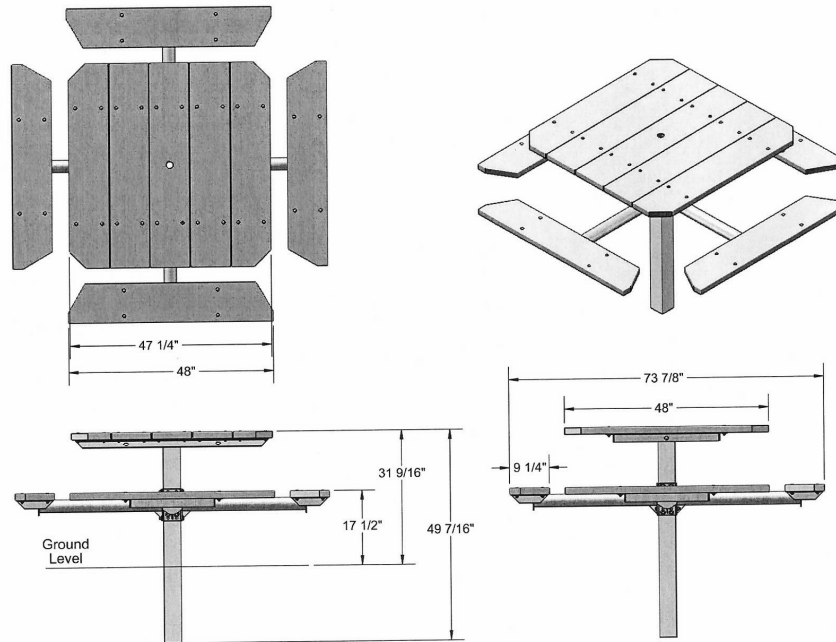
Model Number	Description
US 338S-U48	48" Square Table, 2" x 10" Planks, Untreated Pine, Inground Mount.
US 338S-PT48	48" Square Table, 2" x 10" Planks, Treated Pine, Inground Mount.
US 338S-T48	48" Square Table, 2" x 10" Planks, Stained Redwood, Inground Mount.
US 338SM-U48	48" Square Table, 2" x 10" Planks, Untreated Pine, Surface Mount.
US 338SM-PT48	48" Square Table, 2" x 10" Planks, Treated Pine, Surface Mount.
US 338SM-T48	48" Square Table, 2" x 10" Planks, Stained Redwood, Surface Mount.



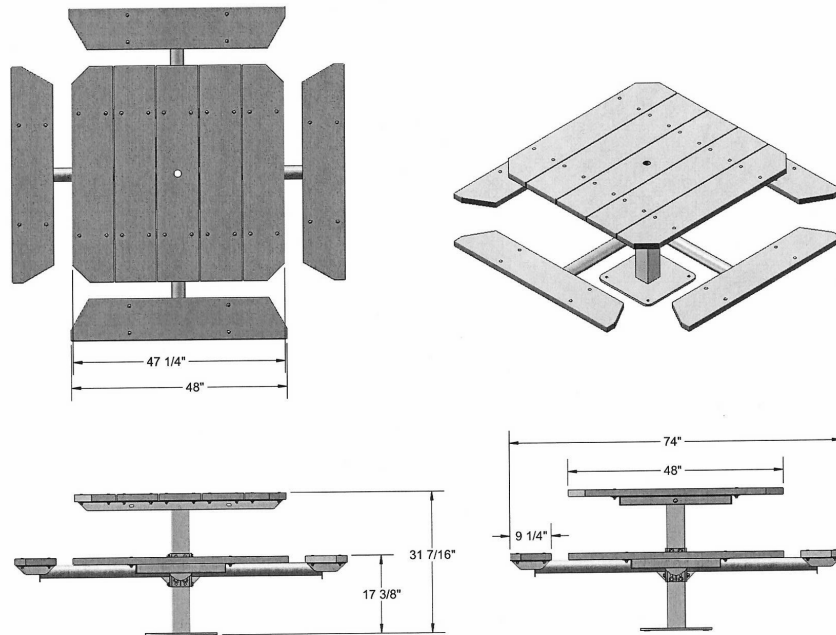
National Outdoor Furniture  
 1210 W. Main Street #296  
 Riverhead, N.Y. 11901

PHONE (888) 663-4621  
 E-MAIL [nofinc1@gmail.com](mailto:nofinc1@gmail.com)  
[www.nationaloutdoorfurniture.com](http://www.nationaloutdoorfurniture.com)

## US 338S



## US 338SM



National Outdoor Furniture  
1210 W. Main Street #296  
Riverhead, N.Y. 11901

PHONE (888) 663-4621  
E-MAIL [nofinc1@gmail.com](mailto:nofinc1@gmail.com)

[www.nationaloutdoorfurniture.com](http://www.nationaloutdoorfurniture.com)