



6' Recycled Plastic Picnic Table with (2) Attached Seats - Portable.

- 260 lbs.
- Dim: 72"W x 60"D x 30"H - Top is 28"D.
- Table top and seats are made with 2" x 10" recycled plastic slats and 2" x 6" and 2" x 10" black recycled plastic frame.
- All holes are predrilled and countersunk for plastic lumber.
- Includes a UV protectant.
- Maintenance free.
- No umbrella hole.
- Table top and seats available in green cedar, gray and brown with black base.
- Mounting clamps available.
- Some assembly required.

NOF# JP PBAPIC6

Resinwood Slat Colors



Cedar



Green



Gray



Brown

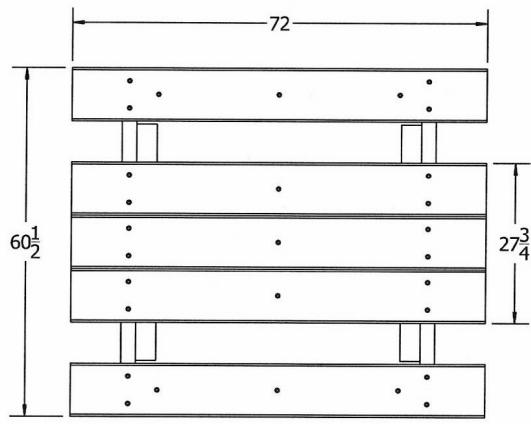
Model Number	Description
JP PBAPIC6	6 Ft. Table 260 Lbs.
JP PBAPIC8	8 Ft. Table 350 Lbs.



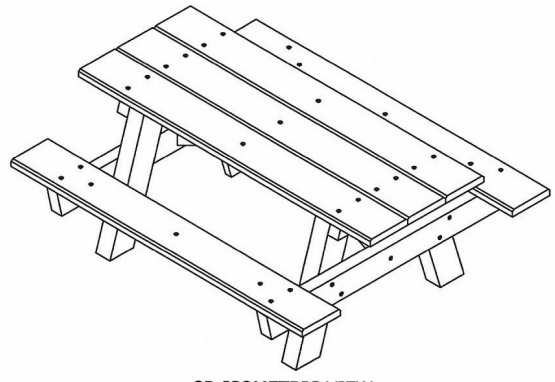
National Outdoor Furniture
1210 W. Main Street #296
Riverhead, N.Y. 11901

PHONE (888) 663-4621
E-MAIL nofinc1@gmail.com

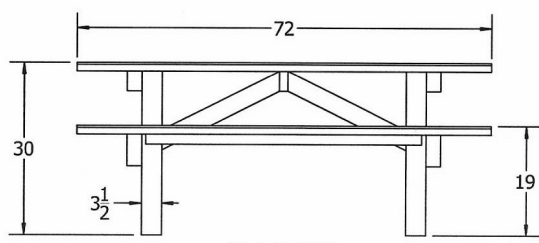
www.nationaloutdoorfurniture.com



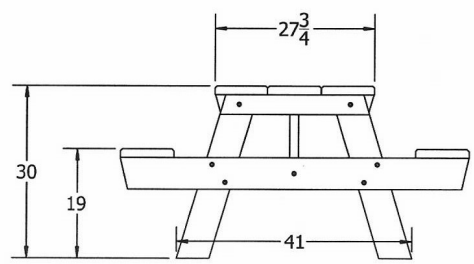
TOP VIEW



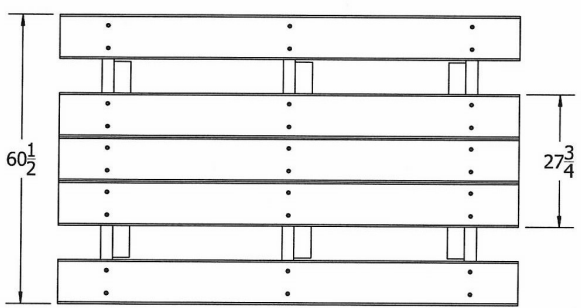
3D ISOMETRIC VIEW



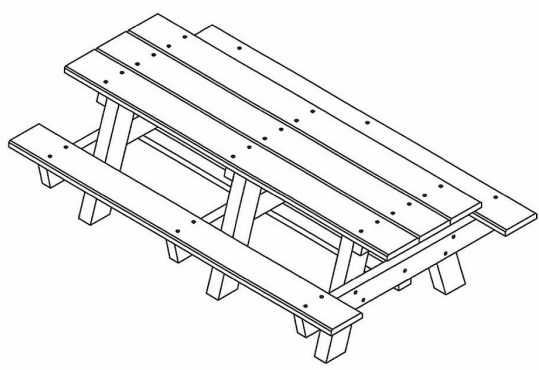
FRONT VIEW



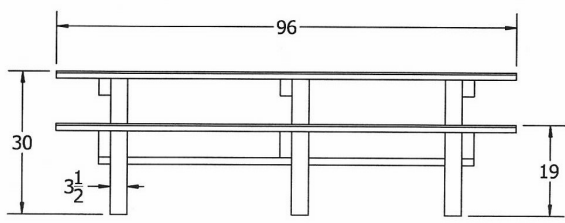
SIDE VIEW



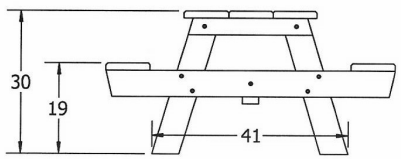
TOP VIEW



3D ISOMETRIC VIEW



FRONT VIEW



SIDE VIEW

NATIONAL OUTDOOR FURNITURE, INC.
 1210 W. Main Street #296. Riverhead, NY 11901
 Toll-Free Phone: 1-888-663-4621
 Phone: 631-369-9099 Fax: 631-207-8312
 Email: nofinc@optonline.net
www.nationaloutdoorfurniture.com

NATIONAL OUTDOOR FURNITURE, INC.
 144 Murdock Road #325 Pomfret Center, CT 06259
 Toll-Free Phone: 1-888-516-8873
 Phone: 1-860-974-1551 Fax: 516-706-1901 Email:
nofinc@earthlink.net
www.nationaloutdoorfurniture.com