



Hex Recycled Plastic Picnic Table with Attached Seats - Portable.

- 250 lbs.
- Dim: 72" x72" Overall Width x 39"D Top.
- Made with 100% recycled plastic slats and black recycled plastic base.
- All holes are predrilled and countersunk for plastic lumber.
- Includes a UV protectant.
- Maintenance free.
- With umbrella hole.
- Available in black or green base
- Also available in ADA.
- Some assembly required.

Item #: JP PB6HEX

Resinwood Slat Colors



Cedar



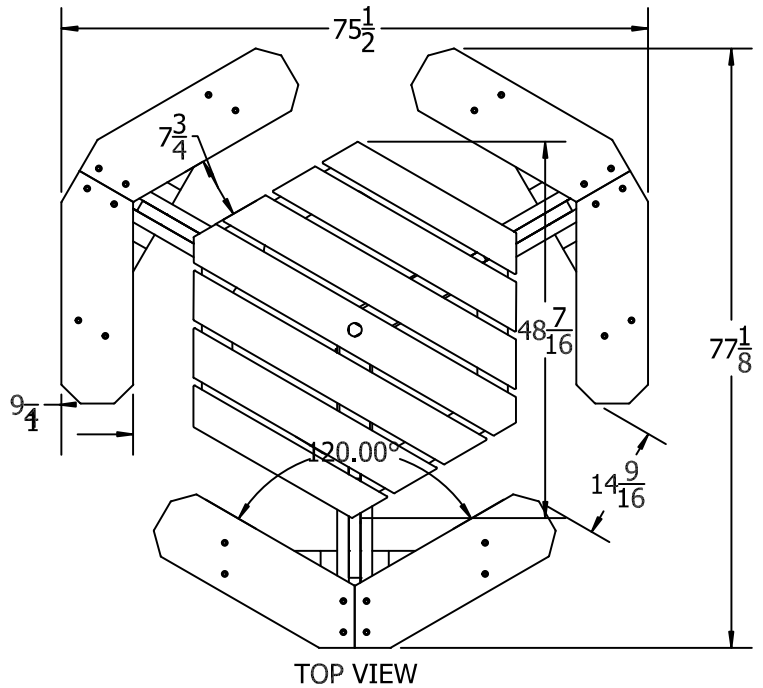
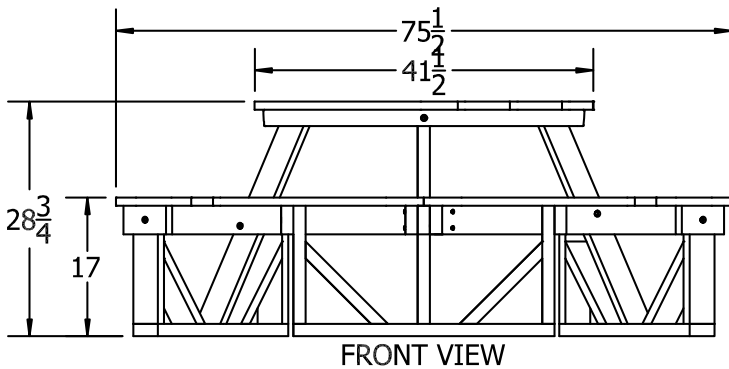
Green



Gray



Brown



National Outdoor Furniture
1210 W. Main Street #296
Riverhead, N.Y. 11901

PHONE (888) 663-4621
E-MAIL nofinc1@gmail.com

www.nationaloutdoorfurniture.com