



**Ultraleisure Style  
Portable ADA**

**Portable Table Mounting Options**



Surface Mounting Clamp

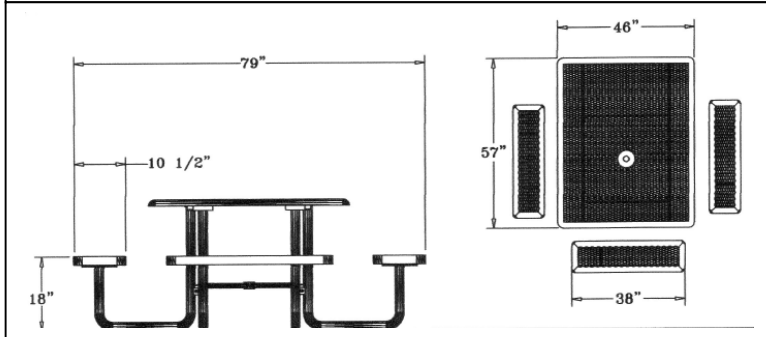


Inground Mounting Clamp

**46" x 57" UltraLeisure Table with (3) Attached Seats –  
ADA/Portable.**

- 46" x 57" ADA Top.
- 233 lbs.
- Overall Dim: Overall Dim: 79" x 79" x 31"Ht.
- Top and seats are made with polyethylene coated 3/4" #9 expanded metal inside a 2" x 3/4" x 1/8" angle iron frame.
- 1 5/8" O.D. Black zinc coated, powder coated galvanized frame.
- With umbrella hole.
- Surface and inground mounting clamps available.
- Some assembly required.

**Item #:** WC US46ADA-3P



**UltraLeisure Thermoplastic Colors**



**Red**



**Green**



**Blue**



**Black**



National Outdoor Furniture  
1210 W. Main Street #296  
Riverhead, N.Y. 11901

PHONE (888) 663-4621  
E-MAIL [nofinc1@gmail.com](mailto:nofinc1@gmail.com)

[www.nationaloutdoorfurniture.com](http://www.nationaloutdoorfurniture.com)