



7 1/2' Recycled Plastic Picnic Table with (2) Attached 6' Seats, ADA - Portable.

- 335 lbs.
- Dim: 90"W x 57"D x 28 1/2"H - Top is 28"D.
- Table top and seats are made with 2" x 10" recycled plastic slats and black recycled plastic base.
- All holes are predrilled and countersunk for plastic lumber.
- Includes a UV protectant.
- Maintenance free.
- No umbrella hole.
- Table top and seats available in green, cedar, brown and gray with black base.
- Some assembly required.

Item #: JP PB6PARKPADA

Resinwood Slat Colors



Cedar



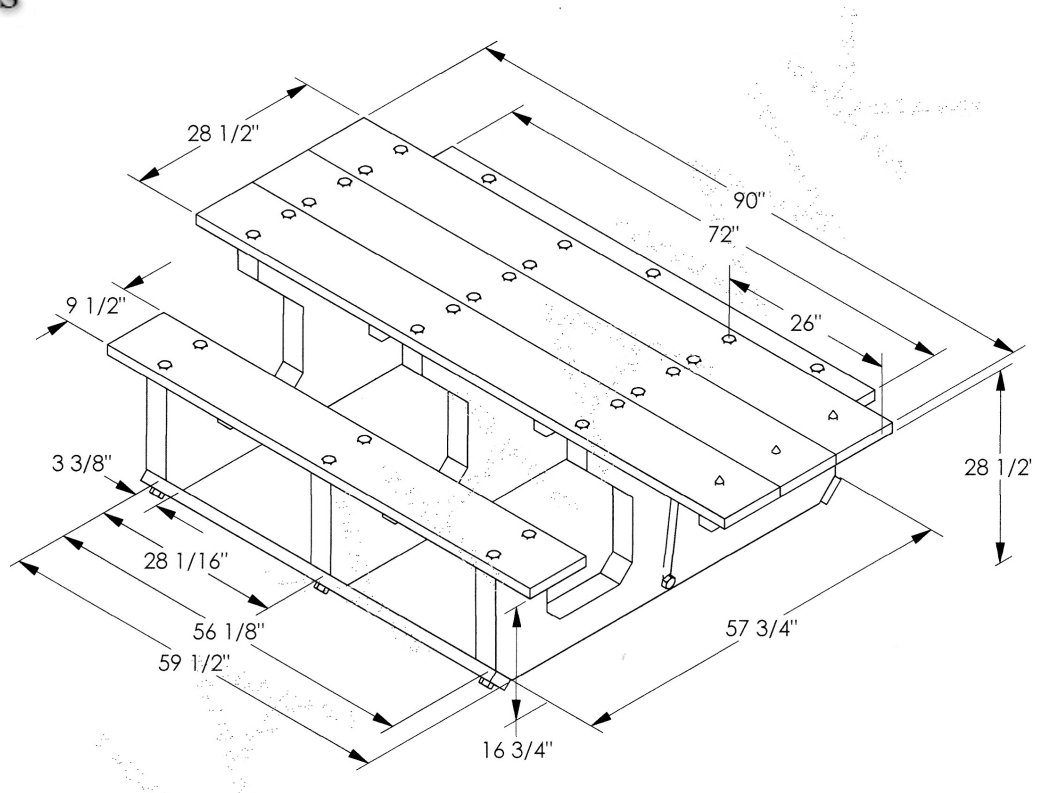
Green



Gray



Brown



National Outdoor Furniture
1210 W. Main Street #296
Riverhead, N.Y. 11901

PHONE (888) 663-4621
E-MAIL nofinc1@gmail.com

www.nationaloutdoorfurniture.com