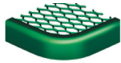




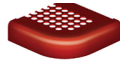
46" Square Capri ADA Table with (3) Attached Seats and Backs - Portable.

- 218 and 272 Lbs.
- Overall Dimensions: 97 1/2"L x 77 3/4"W x 35 9/16"H.
- Available in diamond and perforated seats and tops.
- All MIG welded frame
- 1 5/8" O.D. all bolt together walk through frame.
- Thermoplastic coated seats and tops with powder coated frame.
- All stainless steel hardware.
- Also available with octagonal top.
- Some assembly required.

Item #: US 358H



Diamond



Perforated

Thermoplastic Colors



Ultra Blue



Burgundy



Green



Beige



Blue



Red



Brown



Black

Standard Powder Coat Colors



BURGUNDY



RED



ORANGE



YELLOW



SPRING GREEN



GREEN



NEW ROYAL PURPLE



ULTRA BLUE



BLUE



SKY BLUE



BEIGE



BROWN



BLACK



MATTE BLACK



DARK GREY



NEW CHAMPAGNE



WHITE

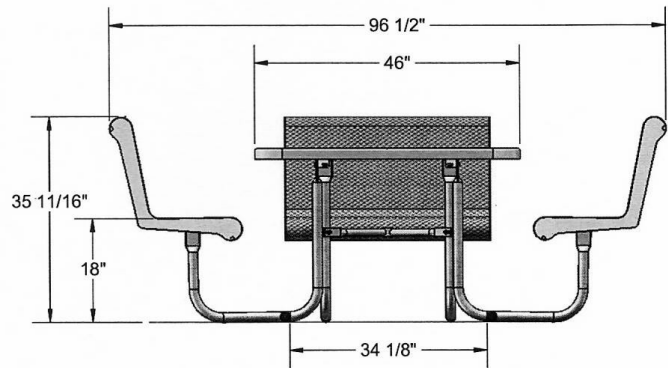
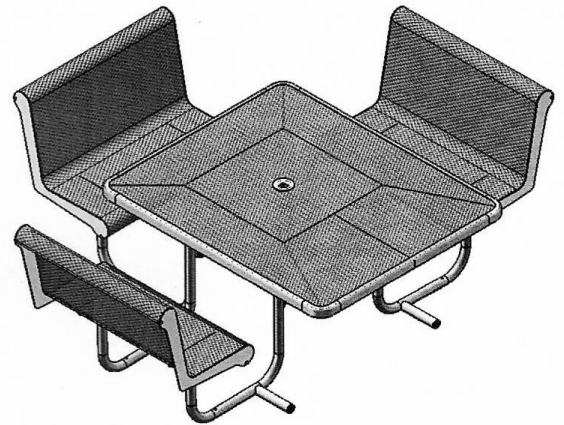
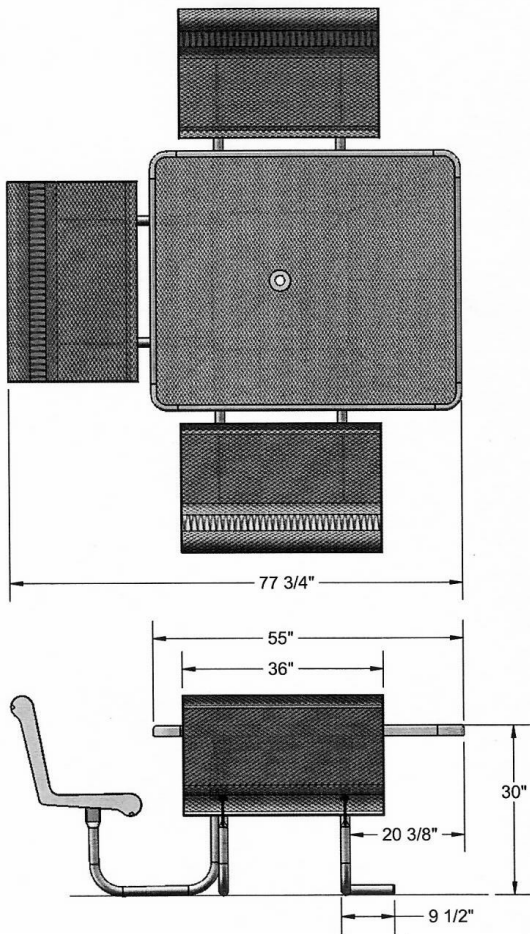
Model Number	Description
US 358H-VC	46" Square Table, Diamond Style, Portable.
US 358H-PC	46" Square Table, Perforated Style, Portable.



National Outdoor Furniture
1210 W. Main Street #296
Riverhead, N.Y. 11901

PHONE (888) 663-4621
E-MAIL nofinc1@gmail.com

www.nationaloutdoorfurniture.com



National Outdoor Furniture
1210 W. Main Street #296
Riverhead, N.Y. 11901

PHONE (888) 663-4621
E-MAIL nofinc1@gmail.com

www.nationaloutdoorfurniture.com