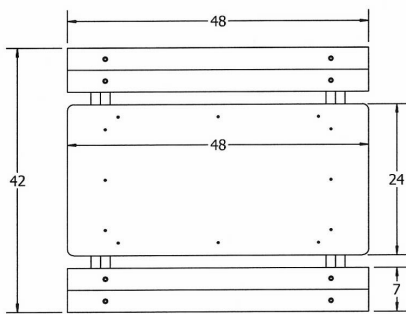




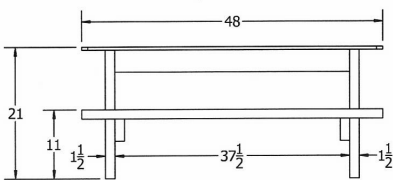
Child's 4' Recycled Plastic A Frame Picnic Table, Portable.

- 86 Lbs. Dim: 48"W x 24"D x 24"H. Seat height is 10 3/4".
- Table top and seats are made with 2" x 10" recycled plastic slats and 2" x 6" and 2" x 10" black recycled plastic frame.
- All holes are predrilled and countersunk for plastic lumber.
- Includes a UV protectant.
- Maintenance free.
- No umbrella hole.
- Table top and seats available in green, cedar and brown with black base.
- Mounting clamps available.
- Some assembly required.

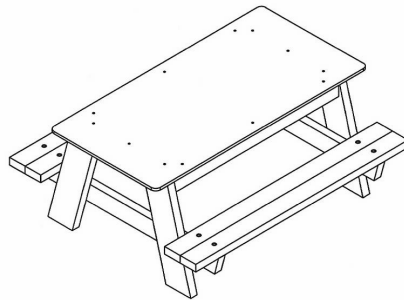
Item #: JP PBKPIC4



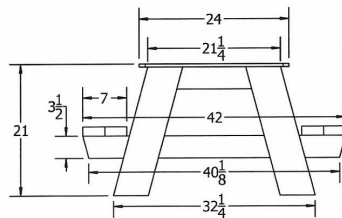
TOP VIEW



FRONT VIEW



3D ISOMETRIC VIEW



SIDE VIEW

Resinwood Slat Colors



Cedar



Brown



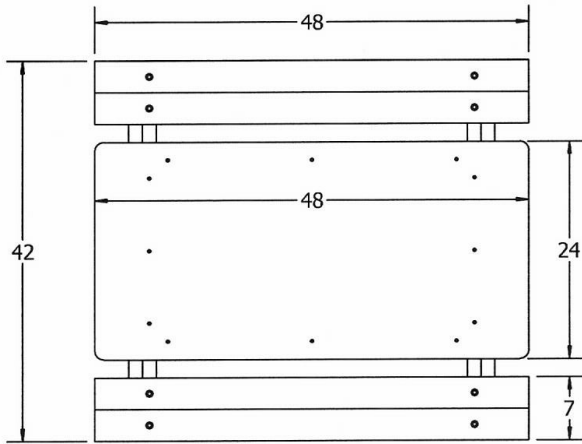
Green



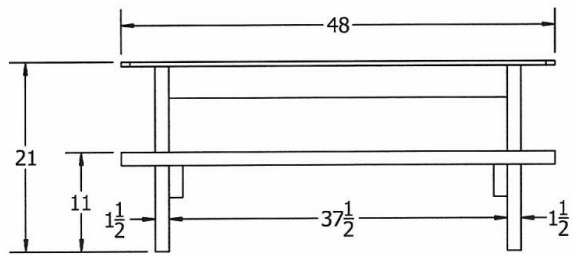
National Outdoor Furniture
1210 W. Main Street #296
Riverhead, N.Y. 11901

PHONE (888) 663-4621
E-MAIL nofinc1@gmail.com

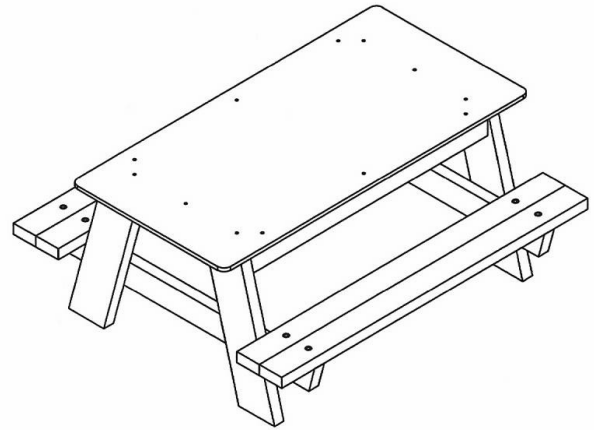
www.nationaloutdoorfurniture.com



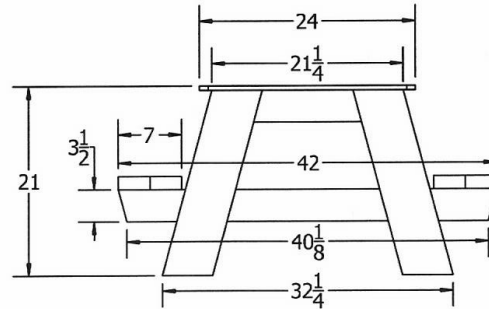
TOP VIEW



FRONT VIEW



3D ISOMETRIC VIEW



SIDE VIEW



National Outdoor Furniture, Inc.
 1210 W. Main Street #296
 Riverhead, NY 11901

PHONE (888) 663-4621
 FAX (631) 207-8312
 E-MAIL nofinc1@gmail.com
www.nationaloutdoorfurniture.com