

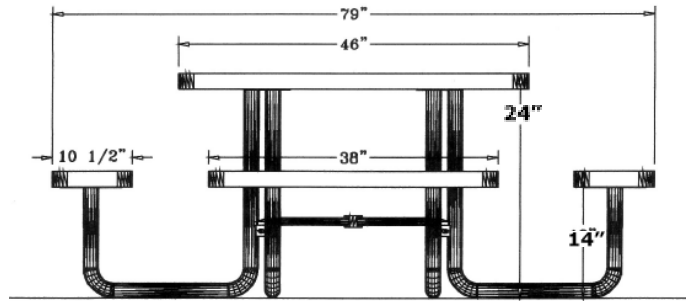
Portable Table Mounting Options



46" Square Elementary Picnic Table, Rounded Corners - Portable.

- 253 lbs.
- Top and seats are made with polyethylene coated 3/4" #9 expanded metal inside a 2" x 2" x 1/8" angle iron frame.
- 1 5/8" zinc coated, powder coated galvanized frame.
- With umbrella hole.
- Surface and inground mounting clamps available.
- Some assembly required.

Item #: WC T46RC-ELEM



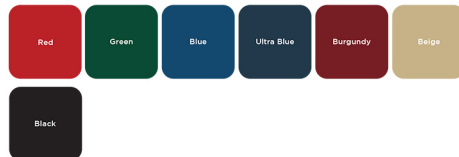
Textured Polyethylene Colors



Powder Coat Gloss Finishes



Thermoplastic Color Options



National Outdoor Furniture
1210 W. Main Street #296
Riverhead, N.Y. 11901

PHONE (888) 663-4621
E-MAIL nofinc1@gmail.com

www.nationaloutdoorfurniture.com