

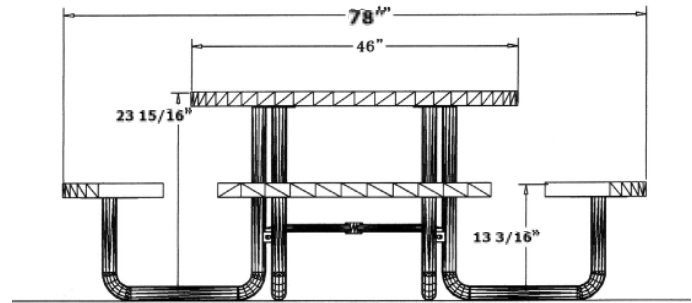


46" Round Elementary Picnic Table with (4) Attached Concave, Solid Top - Portable.

- 204 lbs.
- Polyethylene coated solid top.
- 3/4" #9 Polyethylene expanded metal seats inside a 2" x 2" x 1/8" angle iron frame.
- 1 5/8" zinc coated, powder coated galvanized steel frame.
- With without umbrella hole.
- Surface and inground mounting clamps available.
- Some assembly required.

NOF#: WC TS46RACS-ELEM

Portable Table Mounting Options



Textured Polyethylene Colors



Powder Coat Gloss Finishes



Thermoplastic Color Options

