

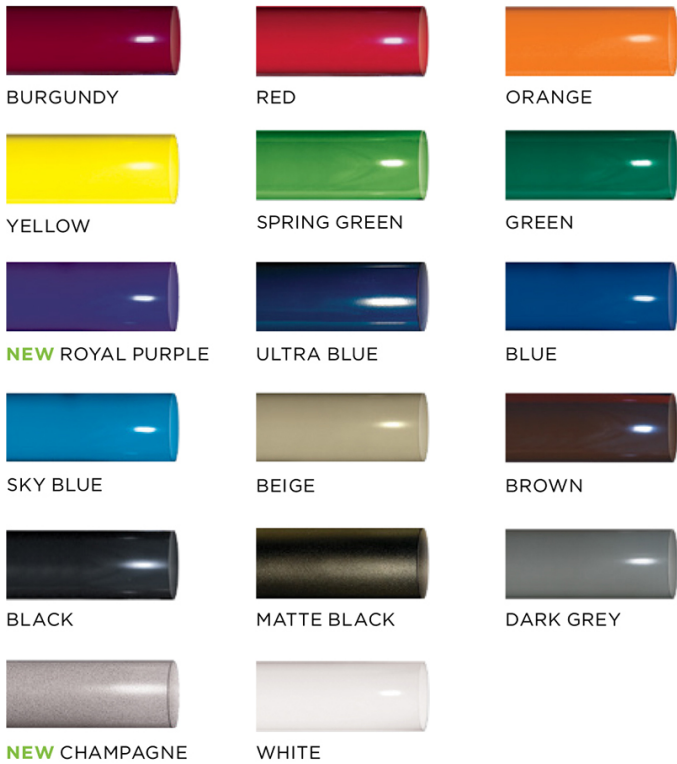


46" Kensington Table with (3) Attached Seats.

- 240 Lbs.
- Dimensions: 73 7/16"dia. x 30"Ht. Seats are 18 5/16"Ht.
- Solid table top is 46" diameter with 38" slat concave seats.
- Frame is 1 5/8" O.D. x 14 gauge pre-galvanized structural steel tubing.
- Coated with zinc rich epoxy primer and top coated with electrostatic powdercoat, oven cured.
- Holes are predrilled in legs for optional surface mounting.
- All electrically MIG welded.
- All MIG welded frame with walk thru design.

Item #: US 42-RDS

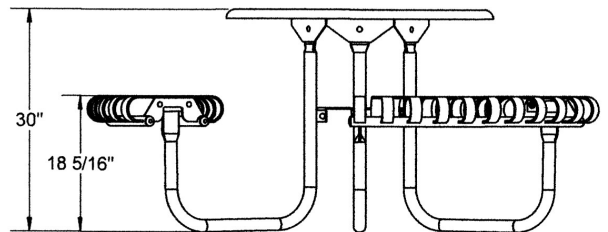
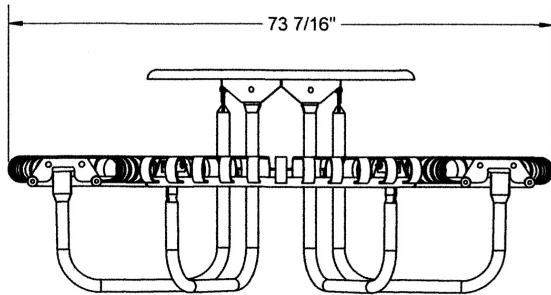
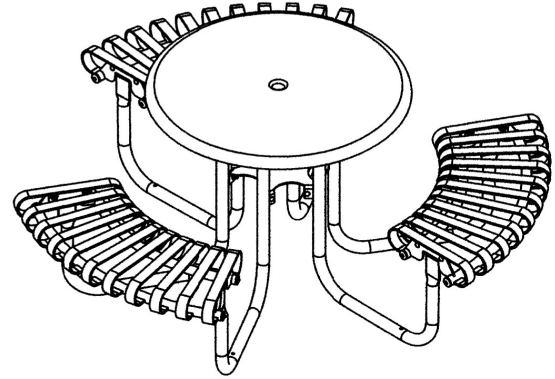
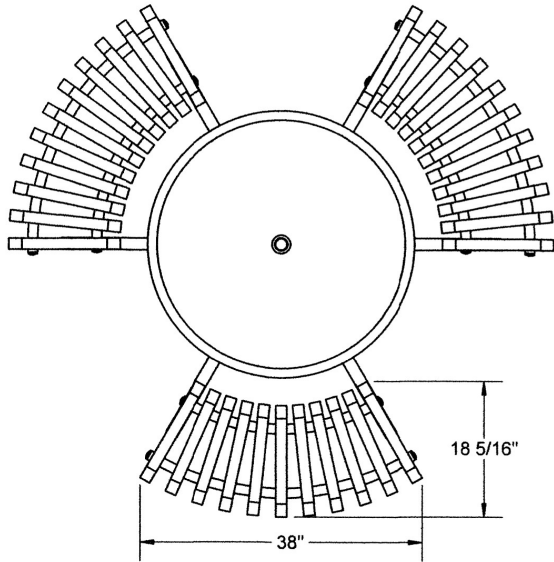
Standard Powder Coat Colors



National Outdoor Furniture
1210 W. Main Street #296
Riverhead, N.Y. 11901

PHONE (888) 663-4621
E-MAIL nofinc1@gmail.com

www.nationaloutdoorfurniture.com



National Outdoor Furniture
 1210 W. Main Street #296
 Riverhead, N.Y. 11901

PHONE (888) 663-4621
 E-MAIL nofinc1@gmail.com

www.nationaloutdoorfurniture.com