



6' Iron Valley Picnic Table- Surface Mount and Inground Mount.

- 6' Dimensions: 72"L x 29 1/2" Ht. Seats are 16 7/8" Ht. 660 Lbs.
- 12 Gauge steel solid top with 24 1/2" slat seats.
- Slats are formed ASTM 1018 cold rolled steel - 1 1/2" x 3/16".
- Main support column is 4 1/2" x 27" LG pipe.
- Coated with zinc rich epoxy primer and top coated with electrostatic powercoat, oven cured.
- Some assembly required.

NOF #KR IVPT6

Frame Finishes



White



Black



Evergreen



Dark Green



Tan



Brown



Blue



Bronze

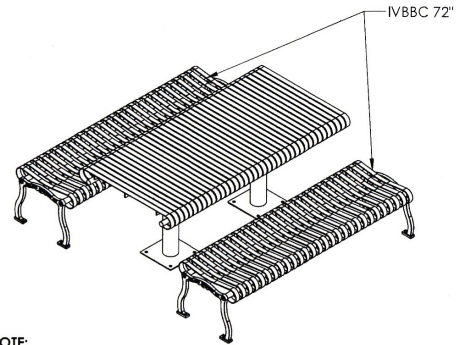
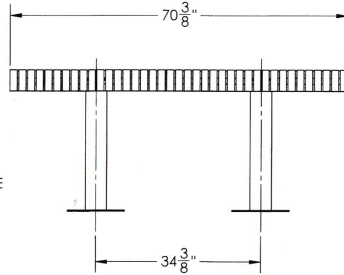
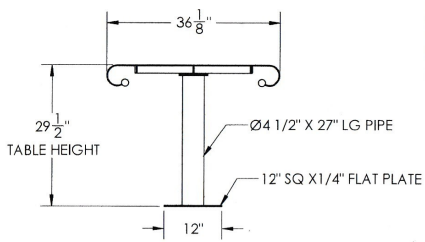


National Outdoor Furniture
1210 W. Main Street #296
Riverhead, N.Y. 11901

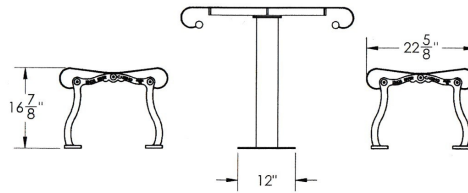
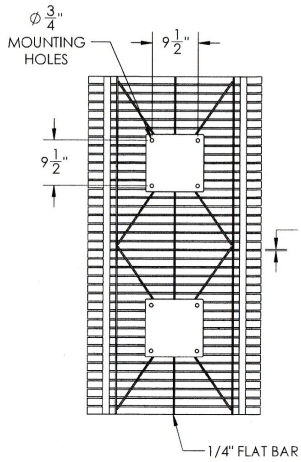
PHONE (888) 663-4621
E-MAIL nofinc1@gmail.com

www.nationaloutdoorfurniture.com

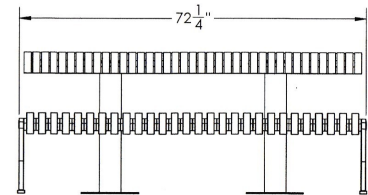
IRON VALLEY PICNIC TABLE - 6'



NOTE:
TABLE INCLUDES 2 MATCHING BACKLESS BENCHES (IVBBC 72").
SPECIFY: SURFACE MOUNT (SM) OR IN GROUND MOUNT (IG)



NOTE:
ALL SLATS ARE FORMED
ASTM 1018 COLD ROLLED
STEEL - 1 1/2" X 3/16"



National Outdoor Furniture
1210 W. Main Street #296
Riverhead, N.Y. 11901

PHONE (888) 663-4621
E-MAIL nofinc1@gmail.com

www.nationaloutdoorfurniture.com