

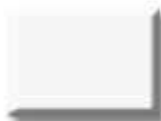


8' Iron Valley Picnic Table- Surface Mount and Inground Mount.

- 8' Dimensions: 96"L x 29 1/2" Ht. Seats are 16 7/8" Ht. 830 Lbs.
- 12 Gauge steel solid top with 24 1/2" slat seats.
- Slats are formed ASTM 1018 cold rolled steel - 1 1/2" x 3/16".
- Main support column is 4 1/2" x 27" LG pipe.
- Coated with zinc rich epoxy primer and top coated with electrostatic powercoat, oven cured.
- Some assembly required.

NOF #KR IVPT8

Frame Finishes



White



Black



Evergreen



Dark Green



Tan



Brown



Blue



Bronze



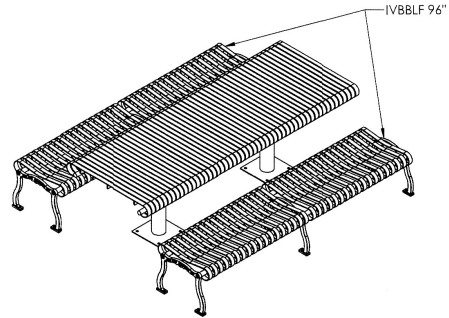
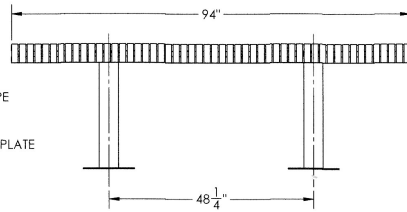
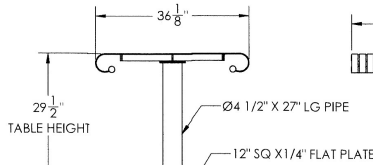
National Outdoor Furniture
1210 W. Main Street #296
Riverhead, N.Y. 11901

PHONE (888) 663-4621
E-MAIL nofinc1@gmail.com

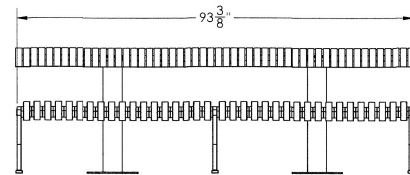
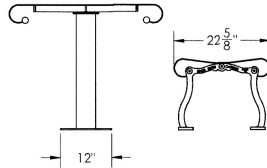
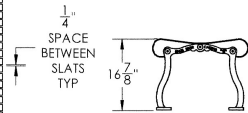
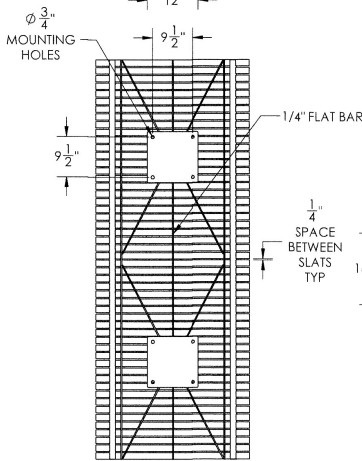
www.nationaloutdoorfurniture.com

PRODUCT SPECIFICATIONS

IRON VALLEY PICNIC TABLE - 8'



NOTE:
TABLE INCLUDES 2 MATCHING BACKLESS BENCHES (IVBBLF 96").
SPECIFY: SURFACE MOUNT (SM) OR IN GROUND MOUNT (IG)



NOTE:
ALL SLATS ARE FORMED
ASTM 1018 COLD ROLLED
STEEL - 1 1/2" X 3/16"



DESCRIPTION:		IRON VALLEY PICNIC TABLE - 8'	
ADDRESS: 1802 NORTH AVE. SALINAS, CALIFORNIA 94607 PHONE: (831) 871-5450 FAX: (831) 875-1487 kingsrivercasting@earthlink.net	THE INFORMATION CONTAINED IN THIS DRAWING IS THE SOLE PROPERTY OF KINGS RIVER CASTING. ANY REPRODUCTION IN PART OR WHOLE WITHOUT THE WRITTEN PERMISSION OF KINGS RIVER CASTING IS PROHIBITED.	WEIGHT: 830 LBS	SCALE: 1:18
		MODEL NUMBER:	SIZE:
		IVPT - 8'	B



National Outdoor Furniture
1210 W. Main Street #296
Riverhead, N.Y. 11901

PHONE (888) 663-4621
E-MAIL nofinc1@gmail.com

www.nationaloutdoorfurniture.com