



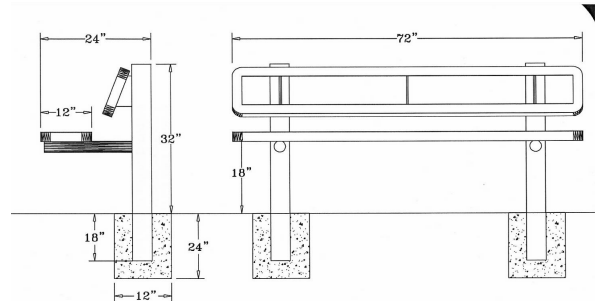
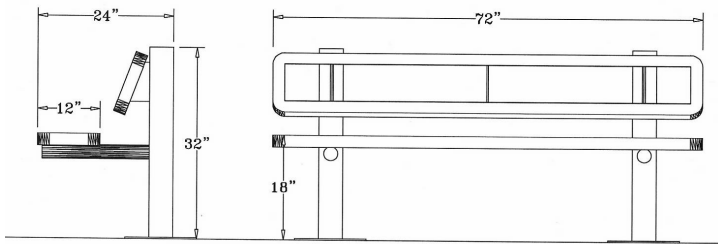
**Perforated Style
Inground Mount**

6' Perforated Bench - Inground Mounted.

- 176 lbs.
- 72"L x 32"Ht. 176 Lbs.
- 2" x 2" x 1/8" Angle iron frame.
- Two 4" x 4" O.D. zinc coated powder coated galvanized steel legs.
- 12" Deep seat.
- All edges are rolled to a 2" radius to form a rounded edge.
- ¼" x 1 ½" Steel bracing are welded to underside.
- All hardware is non corrosive.
- Some assembly required.

Item #: WC P4B6WBSM

WC P4B6WBSM	6 Ft. Surface Mount. 176 Lbs.
WC P4B6WBIG	6 Ft. Inground Mount. 176 Lbs.
WC P4B8WBSM	8 Ft. Surface Mount. 234 Lbs.
WC P4B8WBIG	8 Ft. Inground Mount. 234 Lbs.



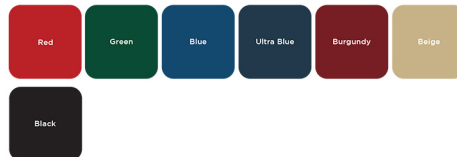
Textured Polyethylene Colors



Powder Coat Gloss Finishes



Thermoplastic Color Options



National Outdoor Furniture
1210 W. Main Street #296
Riverhead, N.Y. 11901

PHONE (888) 663-4621
E-MAIL nofinc1@gmail.com

www.nationaloutdoorfurniture.com